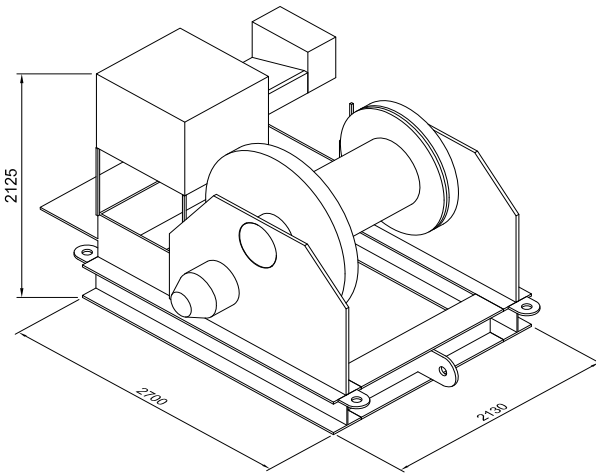
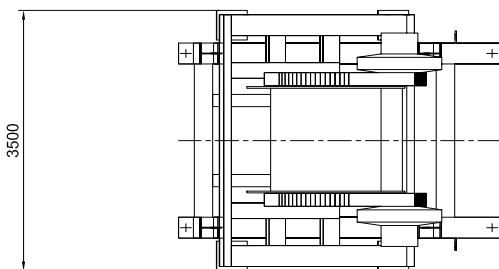
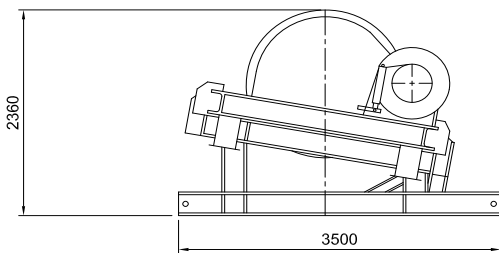


| 14t Winch           |          |
|---------------------|----------|
| Manufacturer        | AMCON    |
| Weight              | 125000   |
| Wire storage cap.   | 2 x 600m |
| Min breakforce line | 1530kN   |
| Maximum speed       | 18m/min  |



| 14t Winch           |          |
|---------------------|----------|
| Manufacturer        | ELEPHANT |
| Weight              | 10350kg  |
| Wire storage cap.   | 600m     |
| Min breakforce line | 707.8kN  |
| Maximum speed       | 24m/min  |



| 27t Winch           |           |
|---------------------|-----------|
| Manufacturer        | GEDI      |
| Weight              | 14700kg   |
| Wire storage cap.   | 450m      |
| Min breakforce line | 1220kN    |
| Maximum speed       | 3.34m/min |

| 650Te CWS           |          |
|---------------------|----------|
| Manufacturer        | Mammoet  |
| Weight              | 30.5 Te  |
| Wire storage cap.   | 2 x 850m |
| Min breakforce line | 900kN    |
| Nominal line speed  | 14m/min  |
| Cable diameter      | 30 mm    |

