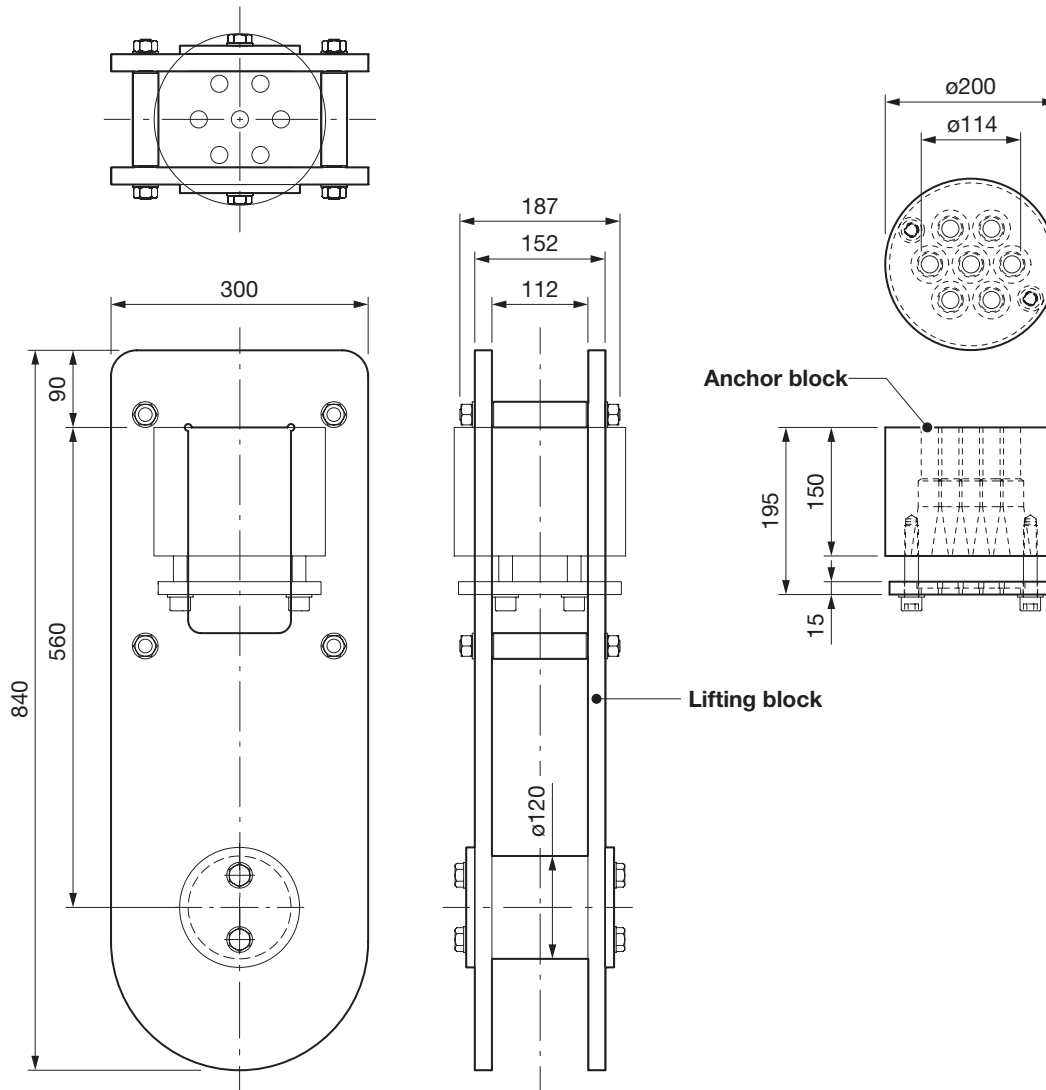

SPECIFICATIONS
Lifting block, type 2

Capacity	100 t
Width	250 mm
Length	300 mm
Height	725 mm
Weight	125 kg

Anchor block, type 2

Capacity	100 t
Diameter	200 mm
Height	195 mm
Weight	35 kg
Max. diameter of the strand bundle	114 mm
Max. no. of strands	7

Dimensions are in millimeters, t = metric tons.
The content in this document is mentioned for reference use only. Values may differ from current data. Always contact Mammoet for current project calculations.


SPECIFICATIONS
Lifting block, type 5

Capacity	100 t
Width	187 mm
Length	300 mm
Height	840 mm
Weight	84 kg

Anchor block, type 1

Capacity	100 t
Diameter	200 mm
Height	150 mm
Weight	35 kg
Strand bundle diameter, max.	114 mm
Max. no. of strands	7

Dimensions are in millimeters, t = metric tons.
The content in this document is mentioned for reference use only. Values may differ from current data. Always contact Mammoet for current project calculations.