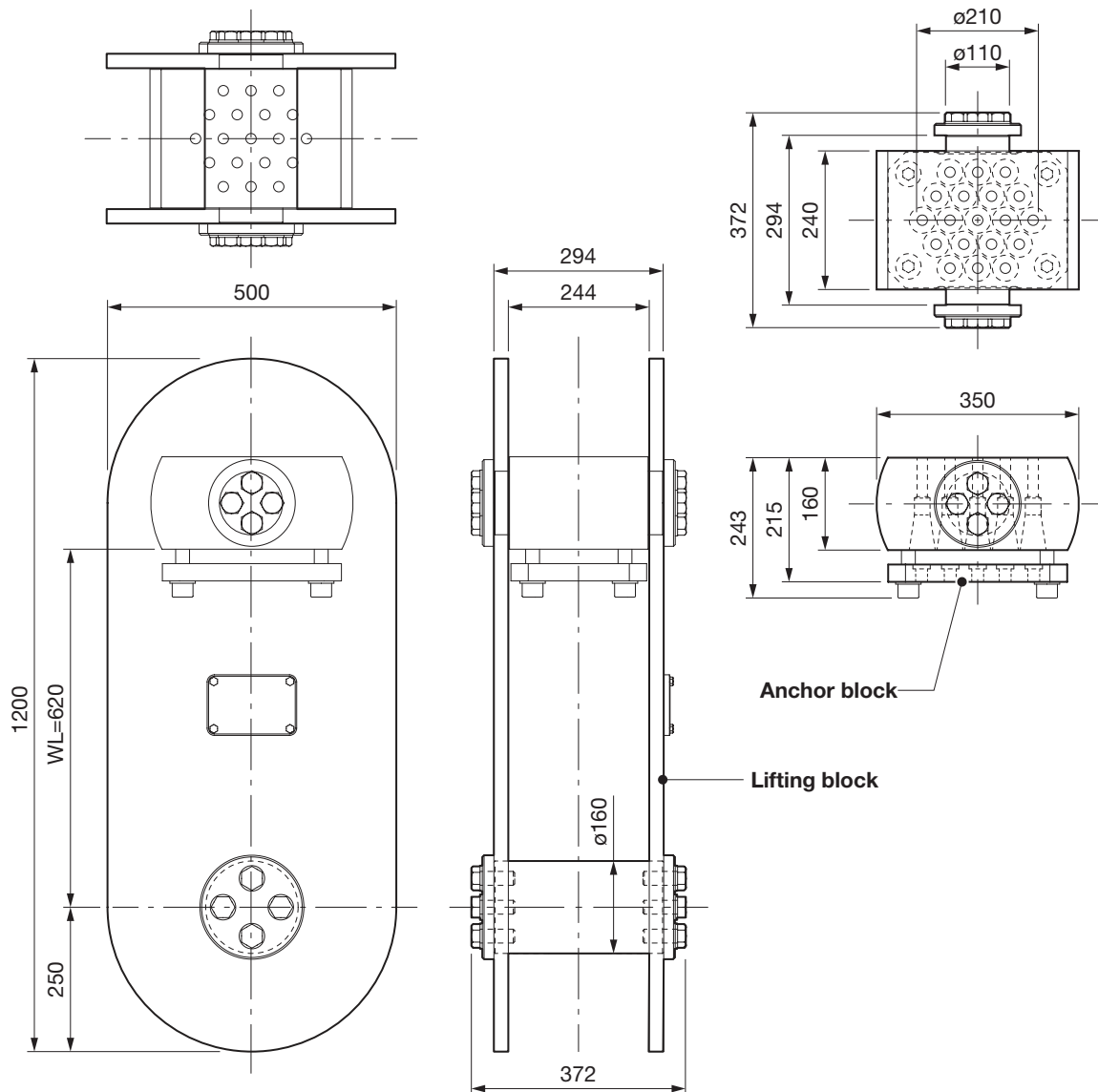


**LIFTING BLOCK, ANCHOR BLOCK
DIMENSIONS AND SPECIFICATIONS**

SPECIFICATIONS
Lifting block

Capacity	300 t
Width	372 mm
Length	500 mm
Height	1200 mm
Weight	265 kg

Anchor block

Capacity	300 t
Width	372 mm
Length	350 mm
Height	215 mm
Weight	113 kg
Max. diameter of the strand bundle	210 mm
Max. no. of strands	18

Dimensions are in millimeters, t = metric tons.
The content in this document is mentioned for reference use only. Values may differ from current data. Always contact Mammoet for current project calculations.