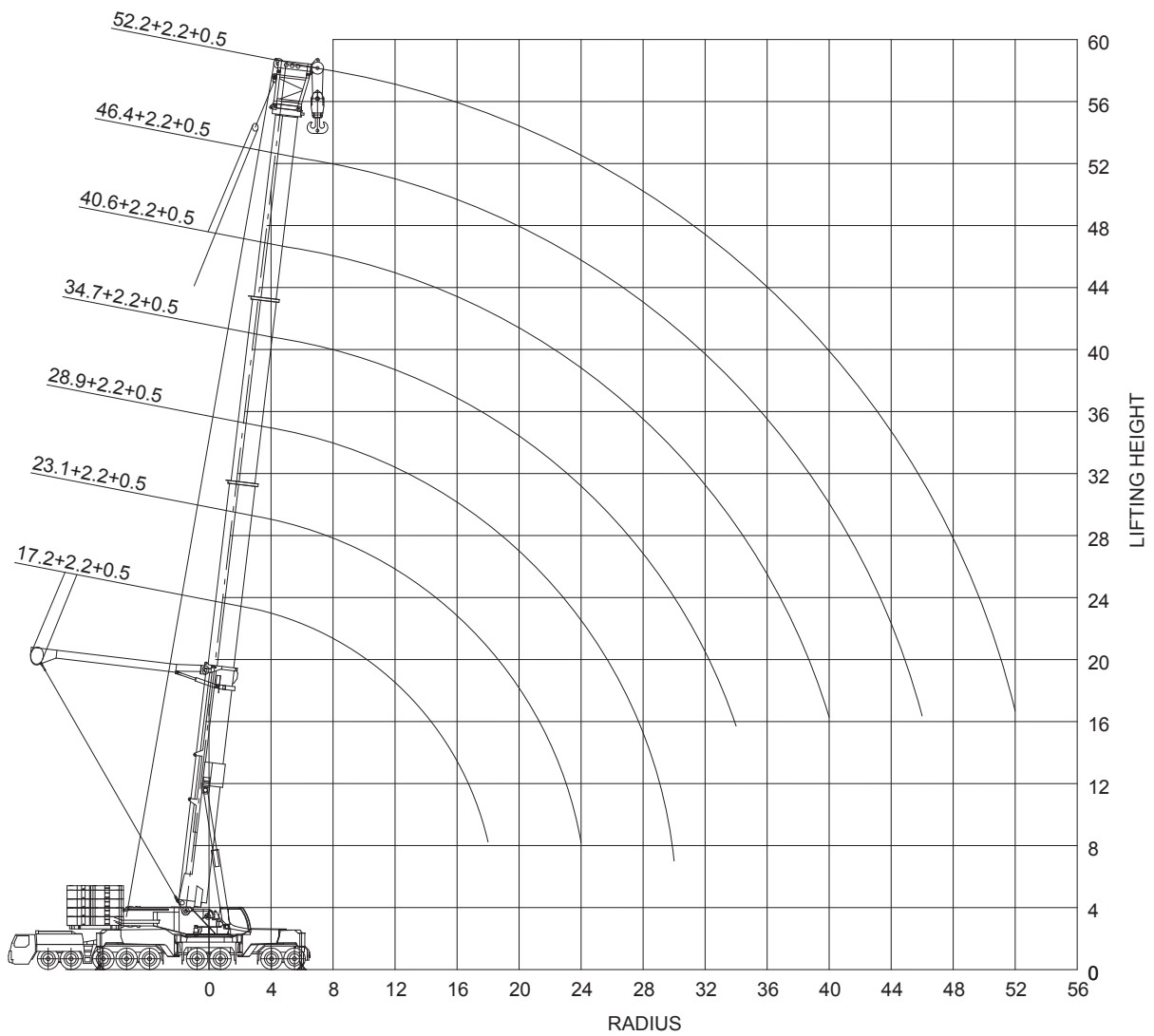


Dimensions are in millimeters.
The content in this document is mentioned for reference use only. Values may differ from current data. Always contact Mammoet for current project calculations.



Dimensions are in meters.
The content in this document is mentioned for reference use only. Values may differ from current data. Always contact Mammoet for current project calculations.

Main boom

- Outrigger base: 13×13 m
- Ballast: 202 - 0 t

Boom length (m)	Ballast (t)	Radius (m)																										
		3	4	5	6	8	10	12	14	16	18	20	22	24	26	28	30	32	34	36	38	40	42	44	46	48	50	52
17.2	0	351	331	311	289	220	131	89	62	45	33																16	14
	102	351	331	311	289	253	226	205	177	142	114																	
	142	351	331	311	289	253	226	205	189	166	144																	
	202	351	331	311	289	253	226	205	189	178	144																	
23.1	0	360	342	327	310	192	119	82	60	45	34	25	18	14														
	102	360	342	327	310	277	251	212	177	142	115	95	80	69														
	142	360	342	327	310	277	251	230	194	166	144	122	104	86														
	202	360	342	327	310	277	251	230	212	189	165	146	130	92														
28.9	0		346	332	319	168	106	74	54	40	31	23	17	12	8	4												
	102		346	332	319	290	259	211	176	141	114	94	79	68	59	51	46											
	142		346	332	319	290	260	223	193	165	143	121	103	89	78	69	50											
	202		346	332	319	290	260	223	197	172	155	138	126	114	104	94	58											
34.7	0		298	279	261	154	101	72	53	40	31	24	18	14	10	6	3											
	102		298	279	261	231	207	188	171	140	116	96	81	70	61	53	47	42	38									
	142		298	279	261	231	207	188	172	157	142	123	105	91	80	70	63	56	51									
	202		298	279	261	231	207	188	172	157	142	130	119	109	101	92	85	79	72									
40.6	0			200	184	139	92	66	49	37	28	21	16	12	7	4												
	102			200	184	158	137	121	108	96	87	79	71	65	60	52	46	41	36	32	29	25						
	142			200	184	158	137	121	108	96	87	79	71	65	60	55	51	48	45	42	39	37						
	202			200	184	158	137	121	108	96	87	79	71	65	60	55	51	48	45	42	39	37						
46.4	0				157	130	89	65	49	38	29	23	18	13	10	5	3											
	102				157	137	121	108	97	88	80	72	66	61	56	52	48	43	38	34	30	27	24	22	19			
	142				157	137	121	108	97	88	80	72	66	61	56	52	48	44	42	39	36	34	32	30	28			
	202				157	137	121	108	97	88	80	72	66	61	56	52	48	44	42	39	36	34	32	30	28			
52.2	0					116	84	62	47	36	28	22	17	13	9	5	3											
	102					116	105	94	85	77	71	65	59	55	51	47	44	41	38	34	31	27	25	22	20	18		
	142					116	105	94	85	77	71	65	59	55	51	47	44	41	38	35	33	31	29	27	25	24	23	21
	202					116	105	94	85	77	71	65	59	55	51	47	44	41	38	35	33	31	29	27	25	24	23	21

t = metric tons.

The content in this document is mentioned for reference use only. Values may differ from current data. Always contact Mammoet for current project calculations.

Guyed main boom

- Outrigger base: 13×13 m
- Ballast: 202 - 42 t

Boom length (m)	Ballast (t)	Radius (m)																											
		3.5	4	4.5	5	6	7	8	10	12	14	16	18	20	22	24	26	28	30	32	34	36	38	40	42	44	46	48	50
28.9	42	363	363	363	361	354	332	302	238	182	139	109	86	69	56	46	37	29											
	102	363	363	363	361	354	341	311	264	221	183	155	133	110	92	77	66	56	38										
	142	363	363	363	361	354	347	317	269	233	200	170	146	128	112	99	85	74	42										
	202						354	325	276	239	209	186	165	145	128	114	102	89	50										
34.7	42			358	353	344	326	290	231	174	134	107	87	72	59	49	41	34	27	22									
	102			363	362	352	332	306	260	214	180	152	130	107	89	75	63	54	47	40									
	142			358	353	344	336	315	270	234	202	172	148	130	115	102	88	77	68	60	53								
	202						349	322	276	239	209	186	165	145	128	114	103	92	84	76	64								
40.6	42				349	339	308	272	214	159	123	98	79	65	54	45	37	31	25	20	16	12	8						
	102				349	339	321	297	251	209	177	152	129	109	92	78	67	58	50	44	38	32	28						
	142				349	339	327	302	261	227	193	167	146	127	112	99	86	75	66	58	51	46	41						
	202						333	311	269	236	210	186	166	146	129	116	104	94	85	77	71	65	59	47					
46.4	42					325	290	258	203	152	119	96	78	64	54	45	38	32	26	22	18	14	10	7	4				
	102					325	309	286	241	201	172	149	126	107	92	80	69	59	52	45	40	34	30	26	22	19			
	142					325	315	292	253	219	187	163	143	126	113	101	88	77	68	60	53	48	43	38	34	30			
	202						315	300	259	225	198	177	159	142	128	115	104	94	85	77	71	65	59	55	50	46	34		
52.2	42						273	244	193	147	116	94	77	64	54	46	39	33	27	23	19	16	12	10	7	4			
	102						283	270	230	194	167	145	124	106	91	80	70	61	54	47	42	37	32	28	24	21	18	16	13
	142						283	270	245	211	182	159	140	124	111	100	90	79	70	62	55	50	45	40	36	32	29	26	23
	202							283	270	246	223	199	178	158	141	127	114	104	95	86	79	72	66	61	56	52	48	44	40

Main boom with fixed jib

- Outrigger base: 13×13 m
- Jib length: 0.5 + 8.2 m
- Ballast: 202 - 0 t

Boom length (m)	Ballast (t)	Radius (m)																											
		3	3.5	4	4.5	5	6	7	8	10	12	14	16	18	20	22	24	26	28	30	32	34	36	38	42	46	50	54	58
17.2	0	243	226	210	197	165	136	125	115	108	100	79	59	45	35	27	21												
	202	243	226	210	197	185	165	149	136	115	100	88	78	71	64	59	55												
23.1	0		234	221	210	181	152	140	131	114	97	72	54	42	33	26	19	15	11	8									
	202		234	221	210	200	181	165	152	131	114	102	91	83	75	70	64	60	57	54									
28.9	0			220	211	187	162	148	122	105	88	64	49	37	29	22	17	13	9	5									
	202			220	211	202	187	174	162	141	126	112	102	93	86	79	74	69	65	61	58	56	43						
34.7	0				182	156	134	111	96	80	58	44	33	25	19	14	9	5											
	202				194	182	168	156	136	119	106	95	85	77	70	64	59	54	50	47	43	41	38						
40.6	0					158	137	126	105	91	77	56	43	33	25	19	14	10	6	3									
	202					158	147	137	120	107	96	87	78	71	65	59	55	51	47	43	40	38	35	31	27				
46.4	0						118	111	101	88	74	55	43	33	26	20	15	11	7	4									
	202							125	118	105	94	85	77	71	65	59	55	51	47	44	41	38	35	33	28	25	22		
52.2	0							97	92	88	79	69	52	40	31	24	19	14	11	6	3								
	202								102	97	88	80	73	67	62	57	53	49	45	42	39	36	34	32	29	26	22	20	17

t = metric tons.

The content in this document is mentioned for reference use only. Values may differ from current data. Always contact Mammoet for current project calculations.

Main boom with fixed jib

- Outrigger base: 13×13 m
- Jib length: 0.5 + 18.2 m
- Ballast: 202 - 62 t

Boom length (m)	Ballast (t)	Radius (m)																											
		4	4.5	5	6	7	8	10	12	14	16	18	20	22	24	26	28	30	32	34	36	38	40	42	44	46	50	58	66
17.2	62	142	132	124	110	98	89	74	63	54	47	41	37	33	30	27	24	22	20	19									
	202	142	132	124	110	98	89	74	63	54	47	41	37	33	30	27	24	22	20	19									
23.1	62	142	134	127	114	103	94	80	69	60	53	48	42	38	35	31	29	26	22	19	17	14	12						
	202	142	134	127	114	103	94	80	69	60	53	48	42	38	35	31	29	27	24	23	21	20	18						
28.9	62			126	115	105	97	84	74	65	59	53	48	44	39	34	28	24	20	17	15	12	10	8	7				
	202			126	115	105	97	84	74	65	59	53	48	44	40	37	34	31	29	27	25	23	22	21	20	19			
34.7	62				109	101	95	83	74	67	60	55	49	42	36	30	26	22	19	15	13	10	8	6	4	2			
	202				109	101	95	83	74	67	60	55	50	47	43	40	37	35	32	30	28	26	25	23	22	21	19		
40.6	62					95	90	81	74	67	62	57	48	41	35	30	26	22	19	16	13	11	9	7	5	3			
	202					95	90	81	74	67	62	57	53	49	46	43	40	38	36	34	32	29	28	26	25	23	20		
46.4	62						81	75	69	64	59	54	46	39	33	28	24	21	17	15	12	10	8	6	4	2			
	202						81	74	68	63	59	55	51	48	45	43	40	37	35	32	30	28	26	24	23	21	19	14	
52.2	62							67	61	56	52	48	45	38	33	28	24	20	17	15	12	10	8	6	4	2			
	202							67	61	56	52	48	45	42	39	36	34	32	30	28	26	24	23	21	20	18	16	12	9

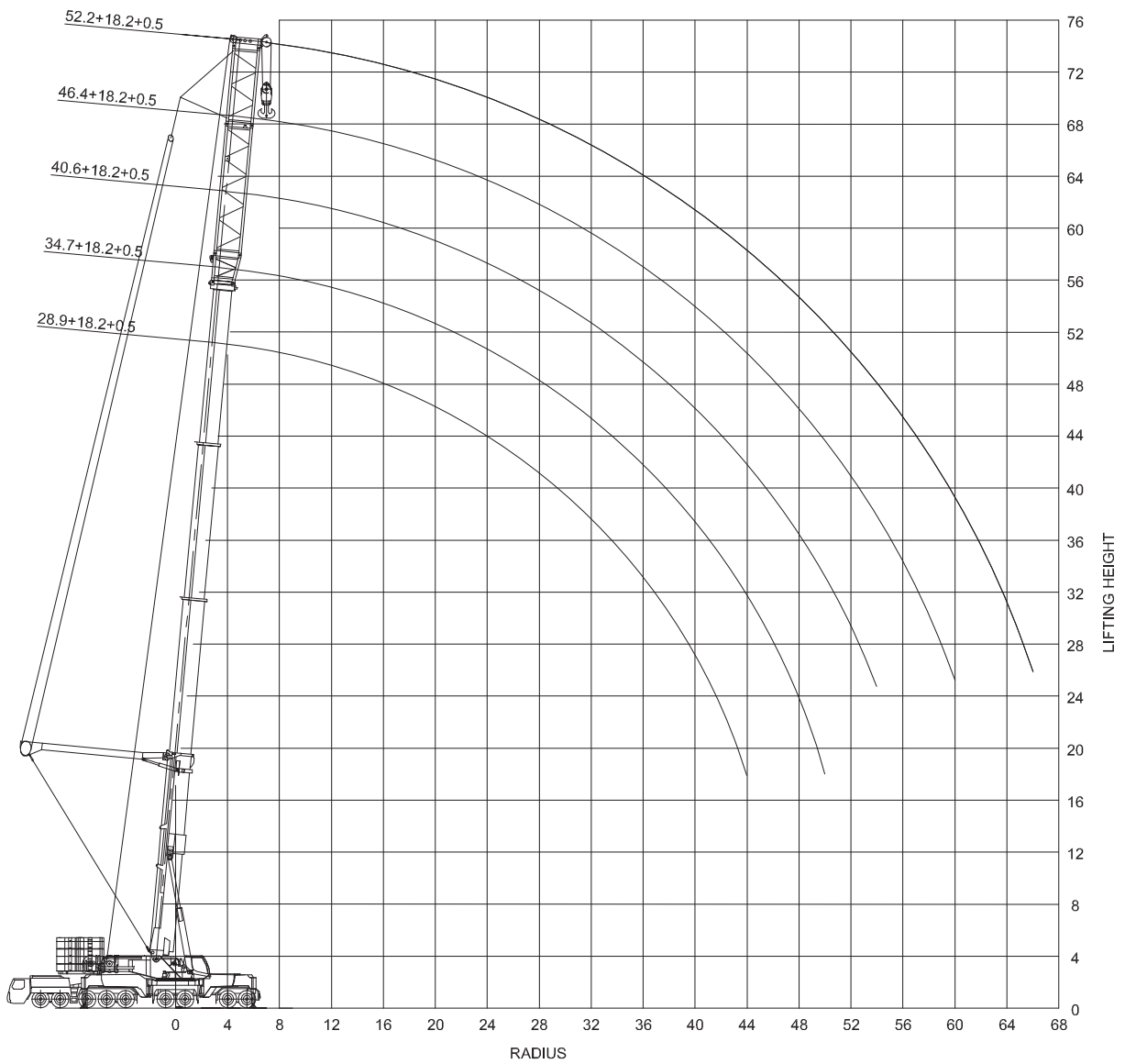
Main boom with fixed jib

- Outrigger base: 11.3×9.9 m
- Jib length: 0.5 + 18.2 m
- Ballast: 202 - 62 t

Boom length (m)	Ballast (t)	Radius (m)																											
		4	4.5	5	6	7	8	10	12	14	16	18	20	22	24	26	28	30	32	34	36	38	42	46	50	54	58	62	66
17.2	62	142	132	124	110	98	89	74	63	54	47	41	37	33	30	27	24	22	20	19									
	112	142	132	124	110	98	89	74	63	54	47	41	37	33	30	27	24	22	20	19									
23.1	62	142	134	127	114	103	94	80	69	60	53	48	42	38	35	31	29	26	22	19	17	14							
	112	142	134	127	114	103	94	80	69	60	53	48	42	38	35	31	29	27	24	23	21	20							
28.9	62			126	115	105	97	84	74	65	59	53	48	44	39	34	28	24	20	17	15	12	8						
	112			126	115	105	97	84	74	65	59	53	48	44	40	37	34	31	29	27	25	23	21	17					
34.7	62				109	101	95	83	74	67	60	55	49	42	36	30	26	22	19	15	13	10	8	6	2				
	112				109	101	95	83	74	67	60	55	50	47	43	40	37	35	32	30	28	24	19	14					
40.6	62					95	90	81	74	67	62	57	48	41	35	30	26	22	19	16	13	11	7	3					
	112					95	90	81	74	67	62	57	53	49	46	43	40	38	36	32	28	25	19	15	11	8			
46.4	62						81	75	69	64	59	54	46	39	33	28	24	21	17	15	12	10	6	2					
	112						81	74	68	63	59	55	51	48	45	43	40	37	35	32	29	26	20	15	12	9	6		
52.2	62							67	61	56	52	48	45	38	33	28	24	20	17	15	12	10	6	2					
	112							67	61	56	52	48	45	42	39	36	34	32	30	28	26	24	20	15	11	8	6	3	1

t = metric tons.

The content in this document is mentioned for reference use only. Values may differ from current data. Always contact Mammoet for current project calculations.



Dimensions are in meters.
The content in this document is mentioned for reference use only. Values may differ from current data. Always contact Mammoet for current project calculations.

T3YV Main boom

- Outrigger base: 13×13 m
- Jib length: 0.5 + 8.2 m
- Ballast: 202 t

Boom length (m)	Ballast (t)	Radius (m)																											
		3.5	4	4.5	5	6	7	8	10	12	14	16	18	20	22	24	26	28	30	32	34	36	38	40	42	46	50	54	56
28.9	82	288	280	273	266	253	242	231	214	199	174	144	118	97	81	68	57	49	42	35	29								
	142	288	280	273	266	253	242	231	214	199	186	169	146	127	112	99	86	75	66	58	51	25							
	202						242	231	214	199	186	169	152	139	127	114	102	92	83	75	64	34							
34.7	82			270	264	253	243	234	218	201	170	140	116	98	83	70	60	51	44	38	33	28	24						
	142			273	266	255	245	236	219	206	192	166	144	126	111	98	86	75	65	58	51	45	40						
	202						245	236	219	206	193	183	164	144	127	113	101	91	82	75	68	62	57	46					
40.6	82					252	243	235	221	194	166	137	114	97	83	72	62	53	47	41	35	31	26	23	19				
	142					256	247	239	224	212	186	162	142	125	112	100	88	77	67	60	53	47	42	38	33				
	202						247	239	224	212	201	181	160	142	127	114	103	92	84	76	70	64	58	54	50	34			
46.4	82						244	237	218	183	155	127	106	90	77	66	57	50	43	38	33	28	24	20	17	12	7		
	142						244	237	224	209	179	156	137	122	109	98	88	77	68	60	54	48	43	38	34	27	21		
	202						244	237	224	212	192	176	156	139	124	112	101	92	84	77	70	64	59	54	50	42	34		
52.2	82							229	207	175	149	123	103	88	75	65	56	49	43	38	33	28	25	21	18	13	8	5	3
	142							229	212	195	173	151	133	119	106	96	87	77	69	61	55	49	44	40	35	28	22	18	16
	202							229	212	195	179	165	151	135	121	110	100	91	83	76	70	65	59	55	50	43	36	31	26

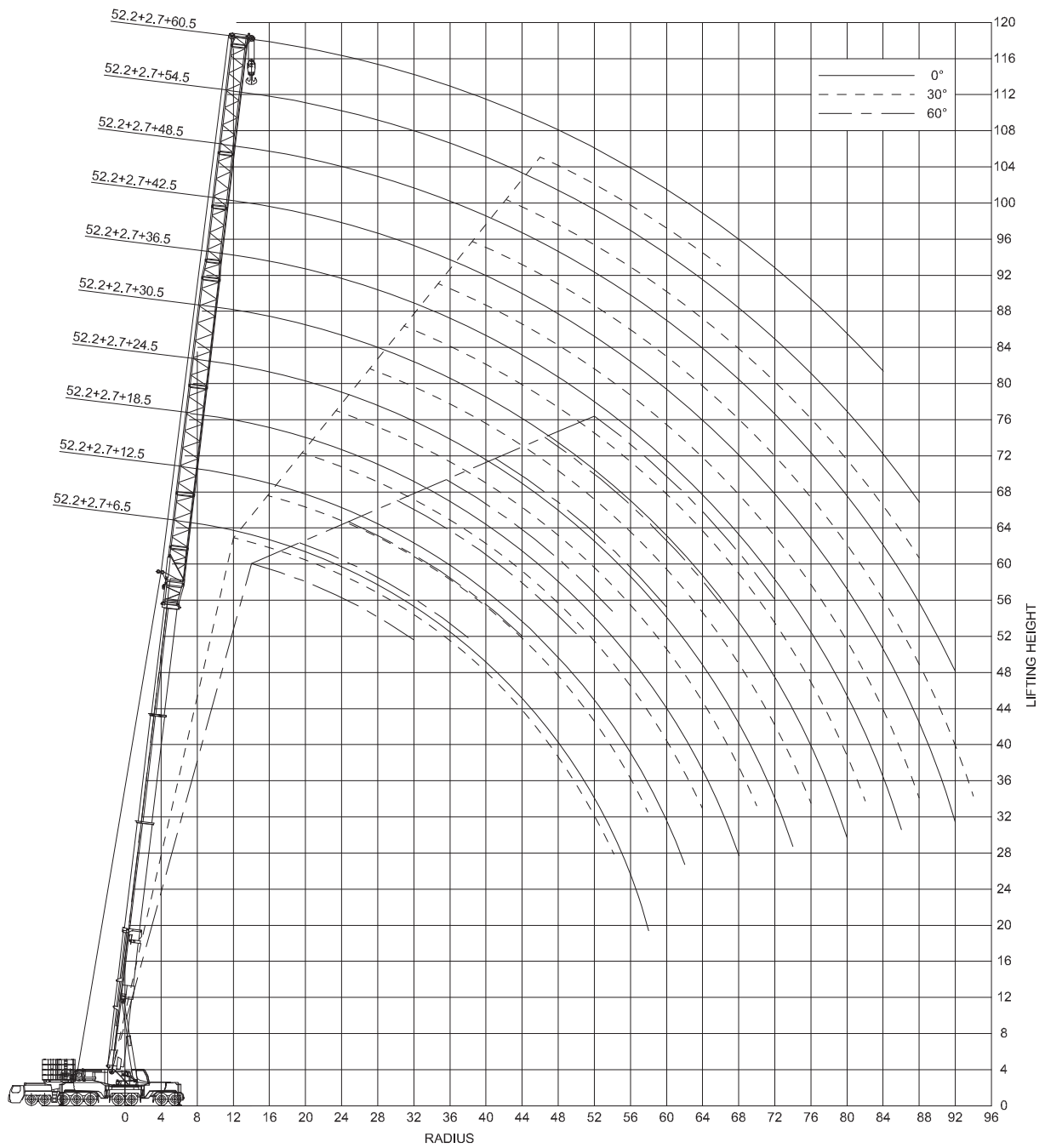
T3YV Main boom

- Outrigger base: 11.3×9.9 m
- Jib length: 0.5 + 8.2 m
- Ballast: 202 t

Boom length (m)	Ballast (t)	Radius (m)																											
		3.5	4	4.5	5	6	7	8	10	12	14	16	18	20	22	24	26	28	30	32	34	36	38	40	42	44	46	50	54
28.9	82			256	259	253	242	231	205	161	127	102	84	70	57	48	40	33	26	21	17								
	112							230	213	184	155	130	109	90	75	64	55	47	41	35	29								
34.7	82			243	247	254	245	236	195	151	119	97	79	66	55	46	39	33	26	21	17	13	10						
	112							235	209	174	147	121	100	85	72	61	52	44	38	32	27	22	18						
40.6	82				256	247	229	188	145	116	94	78	65	55	47	39	33	28	23	19	16	12	9	7	4				
	112							239	201	169	143	118	99	84	71	61	53	46	40	34	29	25	21	17	14	12			
46.4	82						241	217	178	139	111	91	75	63	53	45	38	32	27	23	19	16	13	10	7	5	2		
	112							227	191	162	137	113	95	81	69	60	52	45	39	34	29	25	21	18	15	12	10	6	
52.2	82							204	169	133	107	88	73	62	52	45	38	32	27	23	19	16	13	10	8	6	3		
	112							213	182	155	132	110	93	79	68	59	51	45	39	34	29	25	22	19	16	13	11	7	3

t = metric tons.

The content in this document is mentioned for reference use only. Values may differ from current data. Always contact Mammoet for current project calculations.



Dimensions are in meters.
The content in this document is mentioned for reference use only. Values may differ from current data. Always contact Mammoet for current project calculations.

Main boom with fixed jib

- Outrigger base: 13x13 m
- Ballast: 220 - 42 t

Boom length (m)	Jib length (m)	Jib offset (°)	Radius (m)																																						
			3.5	5	6	8	10	12	14	16	18	20	22	24	26	28	30	32	34	36	38	40	42	44	46	48	50	54	58	62	66	70	78	86	94						
17.2	6.5	0																																							
	12.5		166	155	146	126	108	94	83	75	68	62	58	53																											
	18.5		135	117	108	92	80	70	62	55	50	46	42	39	36	34	32																								
	24.5			91	85	73	64	57	51	46	42	38	35	32	29	27	25	24	22	21																					
	30.5			73	69	60	53	48	43	39	35	32	29	27	25	23	21	20	18	17	16	15	14																		
	36.5				57	50	45	41	37	33	30	27	25	23	21	20	19	17	16	15	14	13	12	11	11	10															
	42.5					48	43	39	35	32	29	26	24	22	20	19	17	16	15	14	13	12	11	11	10	9	9	8	7												
48.5						36	33	30	27	25	23	21	19	18	16	15	14	13	12	11	11	10	9	9	8	7	7	6	5												
54.5							31	28	26	24	22	20	18	17	16	14	13	12	11	11	10	9	9	8	7	7	6	6	5	4	4	3									
60.5								26	24	22	20	18	17	16	14	13	12	11	11	10	10	9	8	8	7	6	6	5	5	4	4	3									
6.5	30			19	19	17	16	15	13	12	11	11	10	9	8	7	7	6	6	5	5	4	4	4	4	3	3														
					94	84	76	70	65	61	58	55																													
						51	47	44	41	39	37	35	34	33	32																										
									39	36	33	31	29	27	25	24	23	22	21																						
												28	26	24	22	21	20	19	18	17	16	15	15																		
													20	19	18	17	15	15	14	13	12	12	11	11	10																
														17	16	15	14	13	12	12	11	10	10	9	9	8	8														
48.5																13	12	11	11	10	9	9	8	8	7	7	6	6	5												
54.5																				10	9	8	8	7	7	6	6	5	5	4	4	3									
60.5																						7	6	6	5	5	5	4	4	3	3	3									
6.5	60																					5	4	4	4	3	3	2	2	2											
					75	73	71	68																																	
									35	34	33	32																													
													25	24	23	23																									
																	17	17	16	16																					
																					12	12	11	11	11																
																								9	8	8	8	8													
48.5																												6	6	5	5	5									

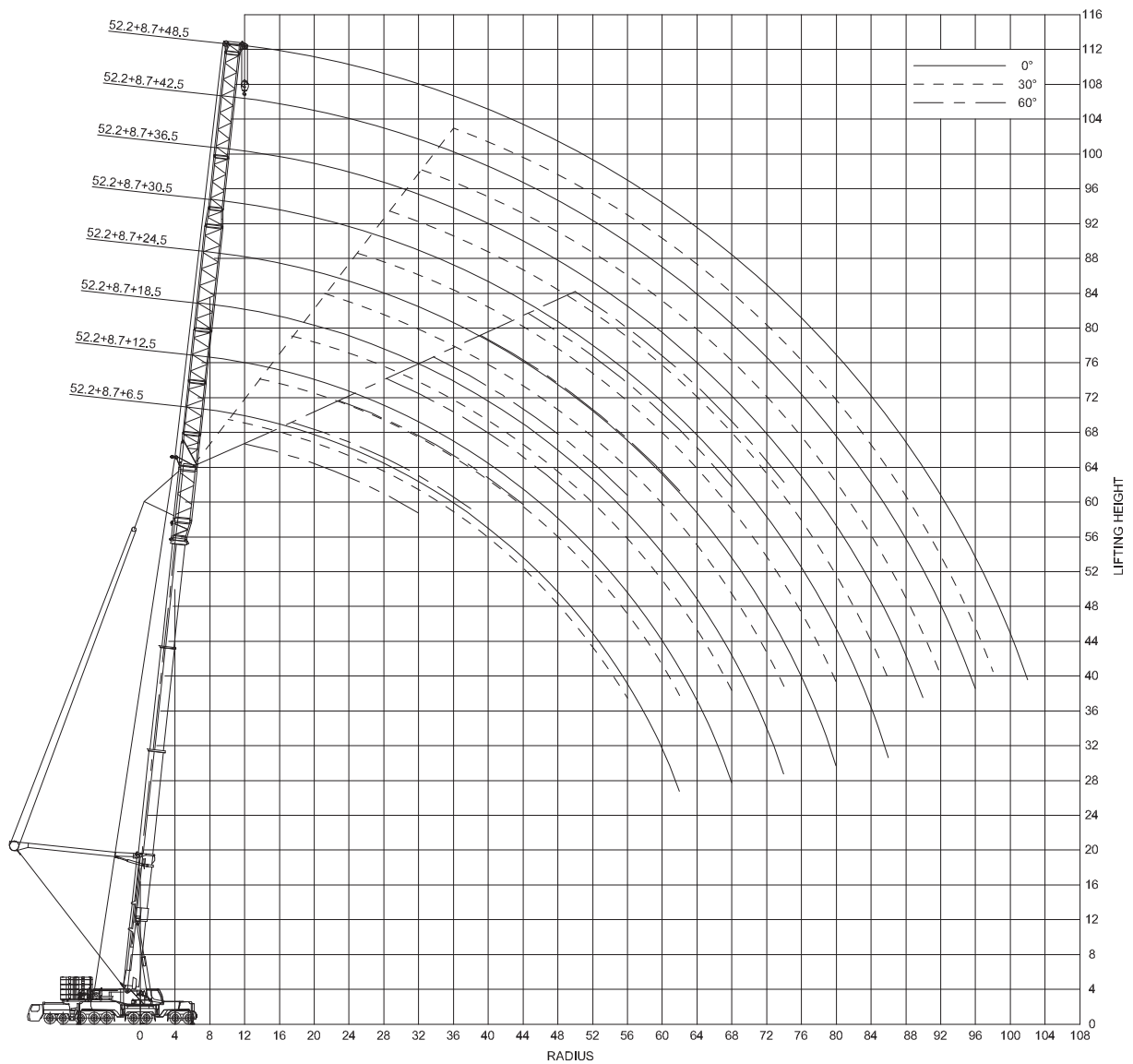
t = metric tons.

The content in this document is mentioned for reference use only. Values may differ from current data. Always contact Mammoet for current project calculations.

Boom length (m)	Jib length (m)	Jib offset (°)	Radius (m)																																									
			3.5	5	6	8	10	12	14	16	18	20	22	24	26	28	30	32	34	36	38	40	42	44	46	48	50	54	58	62	66	70	78	86	94									
34.7	6.5	0																																										
			12.5	169	164	156	145	133	121	110	101	94	86	81	76	72	68	65	61	59	56	54	40																					
			18.5	128	114	102	93	84	78	71	66	61	57	53	50	47	44	42	40	38	36	35	33	32	31																			
			24.5	97	87	79	72	65	60	56	52	48	45	42	39	37	35	33	31	29	28	26	25	24	23	22	21																	
			30.5	69	63	57	53	49	45	42	39	36	34	32	30	28	27	25	24	22	21	20	19	18	17	16	15																	
			36.5	57	52	48	44	41	38	35	33	31	28	26	25	24	22	21	20	19	18	17	16	15	14	13	12	11	10															
			42.5	47	44	40	37	34	32	30	28	26	24	23	21	20	19	18	17	16	15	14	13	12	11	11	10	9	8	7														
			48.5	37	34	31	29	27	25	23	22	21	19	18	17	16	15	14	13	12	11	10	9	8	8	7	6	5	4	3	2	1												
34.7	12.5	30																																										
			18.5	105	97	91	85	80	76	72	69	66	64	61	59	58	56	55																										
			24.5	51	48	46	44	42	41	39	38	37	36	35	34	33	33	32	32																									
			30.5	39	37	35	34	32	30	29	28	27	26	25	24	23	23	22	21																									
			36.5	28	27	25	24	23	22	21	20	19	19	18	17	17	16	16	15	15																								
			42.5	21	20	19	18	17	16	15	15	14	14	13	13	12	12	11	11	10	10	9	8	8	8	7	7	6	6	5	4	3	2	2										
			48.5	16	16	15	14	13	13	12	12	11	11	10	10	9	9	8	8	7	7	6	6	5	5	4	4	3	3	2	2	1	1											
			54.5	13	12	11	11	10	10	9	9	8	8	7	7	6	6	5	5	4	4	3	3	2	2	1	1																	
34.7	18.5	60																																										
			24.5	9	9	8	8	7	7	7	6	6	5	5	4	4	3	3	2	2	1	1																						
			30.5	7	7	6	6	5	5	5	4	3	3	2	2	1	1																											
			36.5	4	4	4	4	3	3	2	2	1	1																															
			42.5																																									
			48.5																																									
			54.5																																									
			60.5																																									
40.6	6.5	0																																										
			12.5	157	138	120	108	96	87	79	71	65	59	54	50	47	43	40	38	35	33	31	29	27	26																			
			18.5	110	100	92	85	78	72	66	60	56	52	48	44	41	38	35	33	31	29	27	26	24	23	21																		
			24.5	83	76	70	65	60	56	52	49	46	43	41	39	36	35	33	31	29	28	26	25	23	22	19	17																	
			30.5	66	60	56	51	48	45	42	40	37	35	33	31	29	28	26	25	24	23	21	20	20	19	17	16	15	13															
			36.5	50	46	43	40	37	35	32	31	29	27	25	24	23	22	20	20	19	18	17	16	15	15	14	14	13	12	11	10	9	8											
			42.5	42	38	36	33	31	29	27	26	24	23	22	20	19	18	17	16	15	14	14	13	12	12	11	11	10	9	8	7	7	5											
			48.5	34	32	30	28	26	24	23	22	20	19	18	17	16	15	14	14	13	12	12	11	11	10	10	9	8	7	7	6	6	5	4	3									
40.6	12.5	30																																										
			18.5	29	27	26	24	22	21	20	19	17	16	16	15	14	13	12	12	11	10	10	9	9	8	7	6	6	5	4	3	2	2	1										
			24.5	23	21	20	19	18	17	16	15	14	13	12	11	11	10	9	9	8	8	7	7	6	6	5	5	4	4	2	2	2	1											
			30.5	19	18	17	16	15	14	13	12	12	11	10	10	9	8	8	7	7	6	6	6	5	4	3	2	2	1															
			36.5	97	91	86	81	76	71	65	59	55	50	47	43	40	38	35	33	31																								
			42.5	51	49	47	45	43	41	40	39	38	37	36	35	34	33	32	30	28	26	25																						
			48.5	39	37	35	34	32	31	30	28	27	26	26	25	24	23	23	22	21	20																							
			54.5	28	27	25	24	23	22	21	21	20	19	18	18	17	17	16	16	15	15																							
40.6	18.5	60																																										
			24.5	21	20	19	18	17	16	15	15	14	13	13	12	12	11	11	10	9	9	8	8	7	7	6	6	5	4	3	2	2	1											
			30.5	16	16	15	14	14	13	12	12	11	11	10	10	9	9	8	8	7	7	6	6	5	5	4	4	3	3	2	2	1	1											
			36.5	12	12	11	11	10	10	9	9	8	8	7	7	6	6	5	5	4	4	3	3	2	2	1	1																	
			42.5	9	9	8	8	7	7	7	6	6	5	5	4	4	3	3	2	2	2	1																						
			48.5	6	6	6	6	5	5	5	4	3	3	2	2	1	1																											
			54.5	4	3	3	3	2	2	2	1																																	
			60.5																																									
40.6	24.5	0																																										
			30.5	72	71	70	69	67	64	59																																		
			36.5	34	33	33	33	32	32	32	32																																	
			42.5	24	24	23	23	23	23	23																																		
			48.5	17	17	17	16	16	16	16																																		
			54.5	12	12	11	11	11	11	11																																		
			60.5	8	8	8	8	8	8	8	7																																	
			66.5	6	6	5	5	5	5																																			

t = metric tons.

The content in this document is mentioned for reference use only. Values may differ from current data. Always contact Mammoet for current project calculations.



Dimensions are in meters.
The content in this document is mentioned for reference use only. Values may differ from current data. Always contact Mammoet for current project calculations.

Guyed main boom with fixed jib

- Outrigger base: 13×13 m
- Ballast: 220 - 62 t

Boom length (m)	Jib length (m)	Jib offset (°)	Radius (m)																																									
			7	8	10	12	14	16	18	20	22	24	26	28	30	34	38	42	46	50	54	58	62	66	70	74	78	82	86	90	94	98	102											
34.7	6.5	0	168	164	157	151	145	140	135	130	126	118	107	96	88	73	62	52	39																									
	12.5		133	128	119	109	99	91	84	77	72	67	63	59	56	49	45	40	37	34																								
	18.5		99	95	89	83	78	73	69	66	62	59	56	54	51	47	44	41	39	36	34	26																						
	24.5			75	69	65	61	57	54	51	49	46	44	42	40	36	34	31	29	27	25	24	23																					
	30.5			60	56	53	49	46	44	41	39	37	35	34	32	29	27	25	23	21	20	19	18	17	16																			
	36.5			50	47	44	41	38	36	34	32	31	29	28	26	24	22	20	19	17	16	15	14	13	12	12																		
	42.5				39	37	35	33	31	29	27	26	25	23	22	20	19	17	16	15	13	13	12	11	10	10	9	9																
	48.5				33	31	29	27	26	24	23	22	21	20	19	17	15	14	13	12	11	10	9	9	8	7	7	6	6															
	6.5	30		111	108	106	104	102	100	98	96	93	91	89	75	63																												
12.5						50	48	46	45	43	41	40	39	38	36	34	33	32																										
18.5							47	46	44	43	42	41	40	39	36	35	33	32	31																									
24.5											34	32	31	30	29	29	27	26	25	24	23	23	22																					
30.5														25	24	23	22	21	20	19	18	17	17	17	16																			
36.5																19	18	17	16	15	14	14	13	13	12	12	12																	
42.5																	16	14	13	13	12	11	11	10	10	9	9	9																
48.5																		12	11	10	10	9	8	8	7	7	7	6	6	6														
6.5		60				74	72	71	70	70	69	69																																
	12.5								34	33	33	32	32	32	32																													
	18.5											25	24	24	23	23	23																											
	24.5														17	17	17	17	16	16																								
	30.5																	12	12	11	11																							
	36.5																			9	8	8	8	7																				
	42.5																					6	5	5	5																			
	48.5																						3	3	3	3	3																	
	40.6	6.5	0	170	167	160	154	148	143	139	135	127	115	105	95	87	73	61	52	45	37																							
12.5			133	129	120	111	103	94	88	82	76	71	67	64	60	54	49	44	41	38	34	23																						
18.5			98	95	89	83	79	74	70	67	64	61	58	56	54	49	46	43	40	38	36	31	25																					
24.5			77	74	69	65	61	58	55	52	50	47	45	43	41	38	35	33	30	28	27	25	24	23	15																			
30.5				60	56	52	50	47	44	42	40	38	36	35	33	30	28	26	24	22	21	20	18	18	17	16																		
36.5					47	44	41	39	37	35	33	31	30	29	27	25	23	21	20	18	17	16	15	14	13	12	9																	
42.5						39	36	34	33	31	29	28	26	25	24	23	21	19	18	16	15	14	13	12	11	11	10	10	9	9														
48.5							33	31	29	28	26	25	23	22	21	20	19	18	16	15	13	12	11	11	10	9	9	8	7	7	6	6	6											
6.5		30				112	109	107	105	103	101	100	98	96	94	89	74	63	53	45																								
	12.5						51	49	47	45	44	42	41	40	39	37	35	34	33	32																								
	18.5							47	46	45	43	42	41	40	39	37	36	34	33	32	31	31																						
	24.5										34	33	32	31	30	29	28	26	25	24	24	23	23	22																				
	30.5													25	24	23	23	21	20	19	18	18	17	17	16	16	16																	
	36.5															19	18	17	16	15	14	13	13	12	12	12	12																	
	42.5																	15	14	13	12	11	11	10	10	10	9	9	9															
	48.5																			11	10	10	9	9	8	8	7	7	7	6	6	6												
	6.5	60				74	73	72	71	70	70	69	69																															
12.5								34	33	33	33	32	32	32																														
18.5												25	24	24	24	23	23	23																										
24.5																17	17	17	16	16																								
30.5																		12	12	11	11	11																						
36.5																				9	8	8	8	8																				
42.5																						6	6	5	5	5	5																	
48.5																							3	3	3	3	3	3																

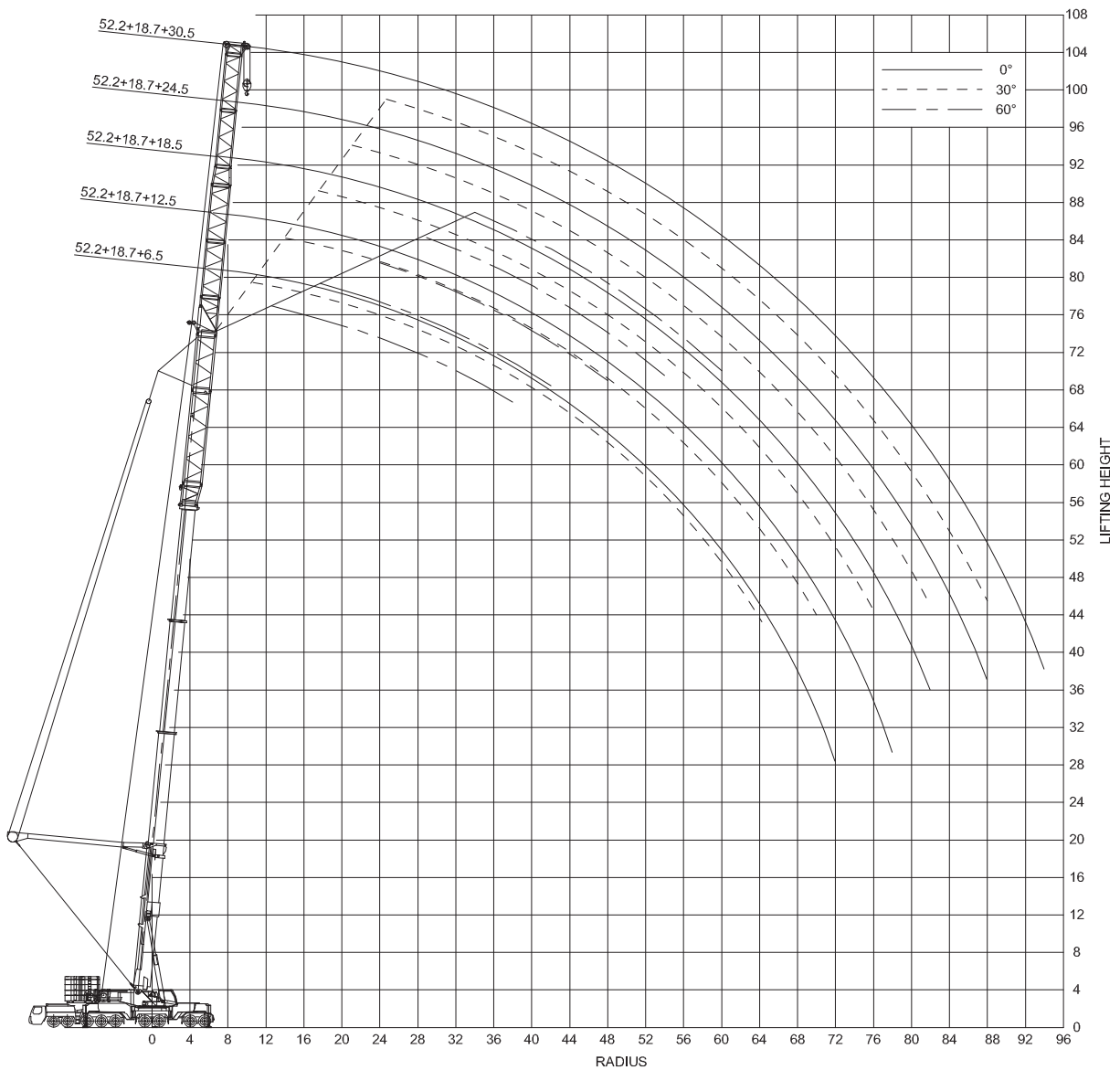
t = metric tons.

The content in this document is mentioned for reference use only. Values may differ from current data. Always contact Mammoet for current project calculations.

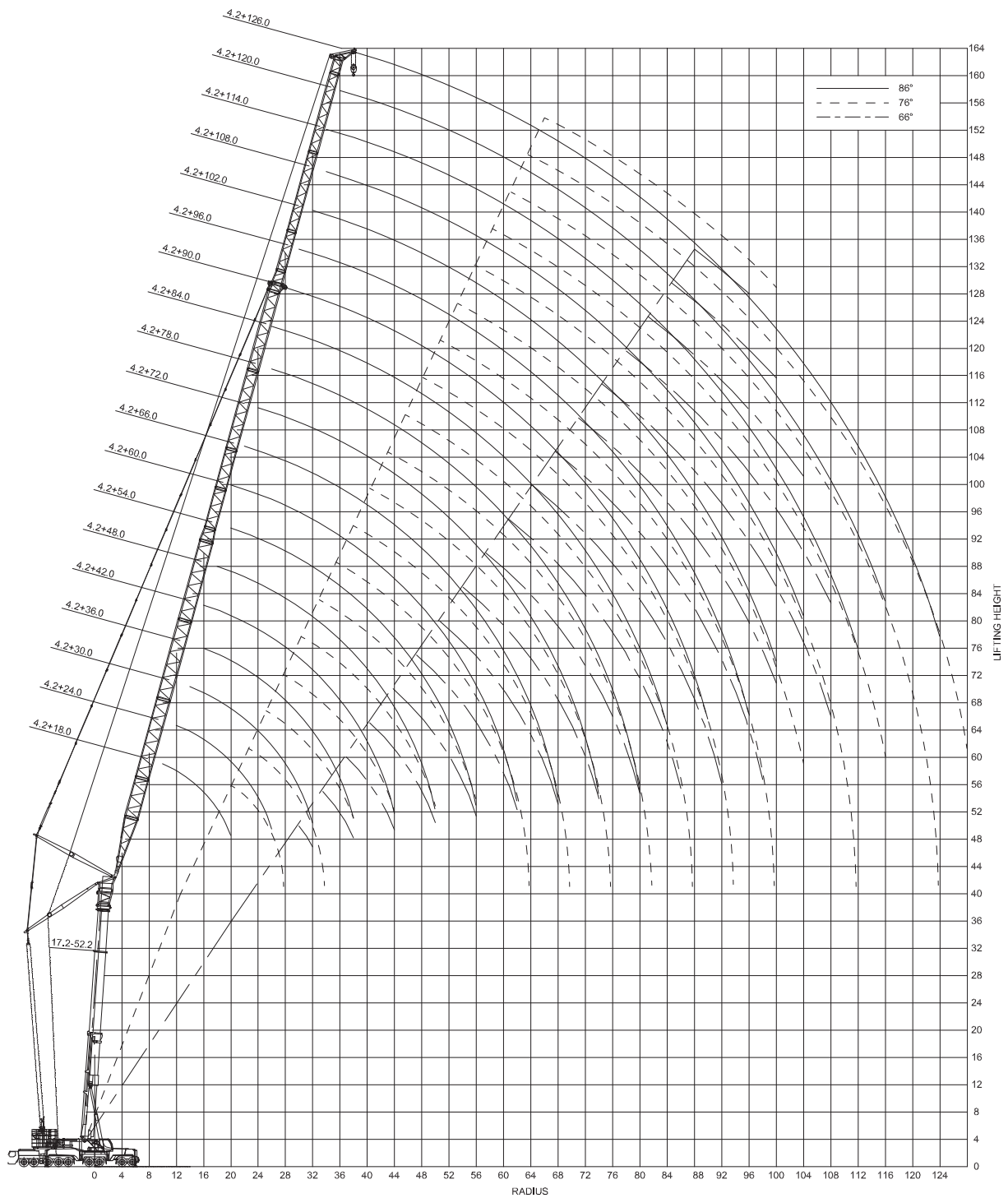
Boom length (m)	Jib length (m)	Jib offset (°)	Radius (m)																																		
			7	8	10	12	14	16	18	20	22	24	26	28	30	34	38	42	46	50	54	58	62	66	70	74	78	82	86	90	94	98	102				
46.4	6.5	0	172	168	162	156	151	146	142	137	123	111	101	93	85	72	61	52	44	37	31	20															
	12.5		132	128	120	113	105	97	90	85	80	75	70	67	64	57	52	48	44	40	34	28	22														
	18.5		97	94	89	84	79	75	72	68	66	63	60	58	56	52	48	45	42	40	36	30	26	22													
	24.5			73	69	65	61	58	55	52	50	48	46	44	42	39	36	34	32	30	28	26	25	23	20	14											
	30.5			59	55	52	50	47	44	42	40	38	37	35	34	31	29	27	25	23	22	21	20	18	18	17	15										
	36.5				46	43	41	39	37	35	33	32	30	29	28	25	23	22	20	19	18	17	16	15	14	13	13	12	9								
	42.5				38	36	34	32	31	29	28	26	25	24	23	21	19	18	17	15	14	14	13	12	11	11	10	10	9	9							
	48.5				32	31	29	27	26	25	23	22	21	20	19	18	16	15	14	13	12	11	10	10	9	8	8	7	7	7	6	4					
6.5	30			112	110	108	106	104	102	101	99	98	95	87	74	62	53	45	38																		
	12.5					51	50	48	46	45	43	42	41	40	38	36	35	34	33	32																	
	18.5						47	46	45	44	43	42	41	40	38	36	35	34	33	32	31	27															
	24.5										34	33	32	31	30	29	28	27	26	25	24	24	23	23	22												
	30.5											25	24	23	23	22	21	20	19	18	17	17	17	16	16	16											
	36.5															19	18	17	16	15	15	14	13	13	13	12	12	12	12								
	42.5																	15	14	13	12	12	11	11	10	10	9	9	9	9	9						
	48.5																						11	10	10	9	9	8	8	7	7	7	6	6	6		
6.5	60				74	73	72	71	71	70	70	69	69	69																							
	12.5									34	34	33	33	32	32	32	32																				
	18.5											25	24	24	24	23	23	23	23																		
	24.5															17	17	17	16	16	16																
	30.5																	12	12	11	11	11	11														
	36.5																		9	8	8	8	8	7													
	42.5																							6	6	5	5	5									
	48.5																																				
52.2	6.5	0	172	169	163	158	153	149	144	131	118	107	97	89	81	69	59	50	43	36	30	25	19														
	12.5		130	127	120	113	106	100	93	87	83	78	74	69	66	60	55	51	44	39	32	27	22	18													
	18.5		93	88	84	79	76	72	69	66	64	61	59	57	53	50	47	44	40	35	29	24	20	17	12												
	24.5		72	68	65	61	58	55	53	50	49	47	45	43	40	37	35	33	31	29	28	26	22	18	15	12											
	30.5				55	52	49	47	45	43	41	39	37	36	34	32	29	27	25	24	23	21	20	19	18	16	14	11	6								
	36.5				46	43	41	39	37	35	34	32	31	29	28	26	24	22	21	19	18	17	16	15	15	14	13	12	10	7							
	42.5				38	36	34	32	31	29	28	26	25	24	23	21	20	18	17	16	15	14	13	12	12	11	10	10	9	9	7						
	48.5				30	29	27	26	25	23	22	21	20	19	18	17	15	14	13	12	11	11	10	9	9	8	8	7	7	7	6	6	6	6	3		
6.5	30				112	110	108	106	105	103	102	100	98	92	84	71	61	52	44	37	31																
	12.5						52	50	49	47	46	44	43	42	41	39	37	36	34	33	33	28	23														
	18.5							46	45	44	43	42	41	40	39	37	36	35	33	32	32	27	22														
	24.5											33	32	31	30	30	28	27	26	25	24	24	23	23	23	21	17										
	30.5												25	24	24	23	22	21	20	19	18	18	17	17	16	16	16										
	36.5															19	18	17	16	16	15	14	14	13	13	12	12	12	12	11	11						
	42.5																	15	14	13	12	12	11	11	10	10	10	9	9	9	9	9					
	48.5																							11	10	10	9	9	8	8	7	7	7	6	6	6	6
6.5	60					74	73	72	72	71	70	70	69	69	69																						
	12.5									34	34	33	33	33	32	32	32	31																			
	18.5											25	24	24	24	24	23	23	23																		
	24.5															17	17	17	16	16	16																
	30.5																	12	12	11	11	11	11														
	36.5																		8	8	8	8	7	7													
	42.5																							6	6	5	5	5	5								
	48.5																																				

t = metric tons.

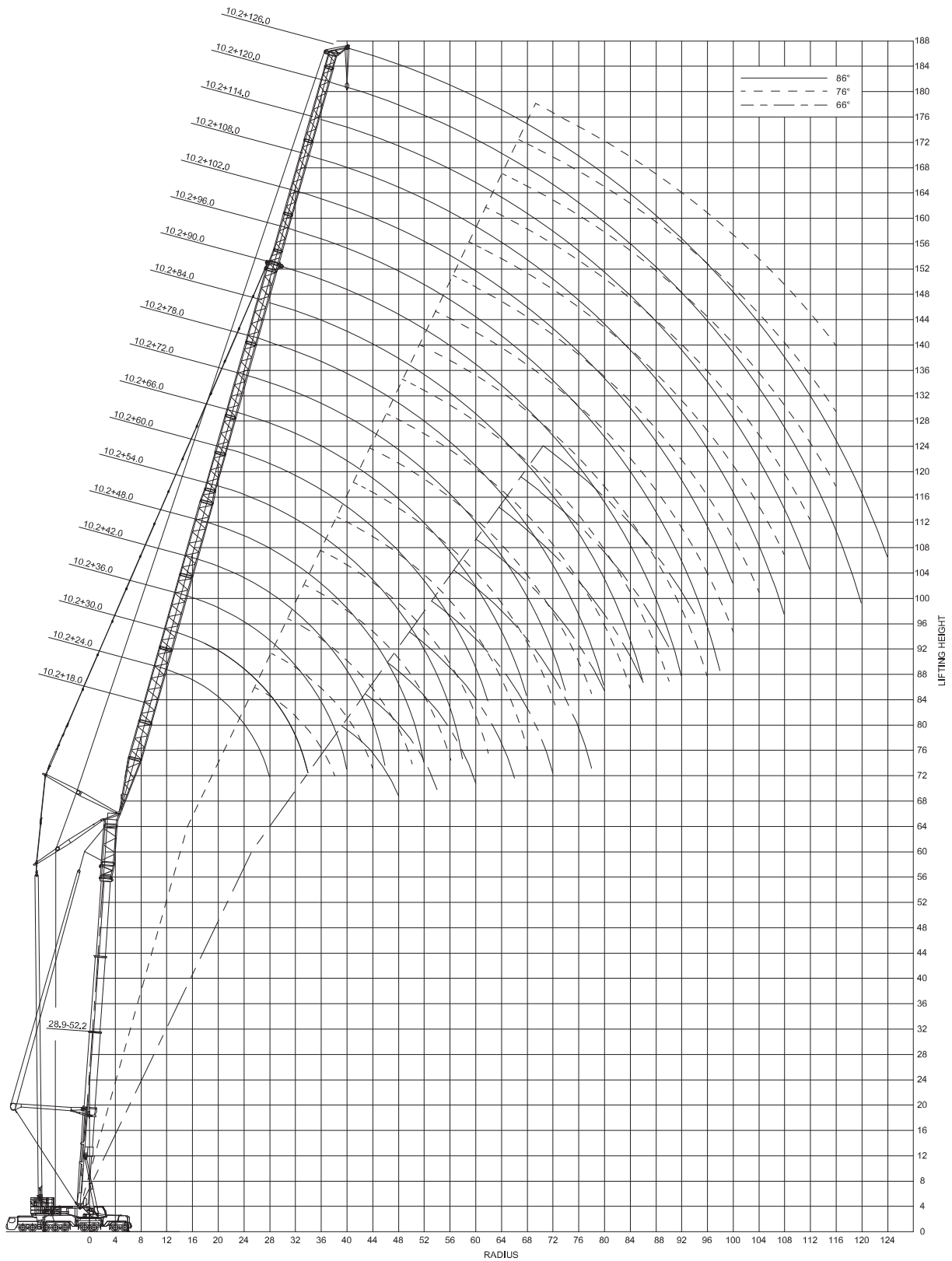
The content in this document is mentioned for reference use only. Values may differ from current data. Always contact Mammoet for current project calculations.



Dimensions are in meters.
 The content in this document is mentioned for reference use only. Values may differ from current data. Always contact Mammoet for current project calculations.



Dimensions are in meters.
 The content in this document is mentioned for reference use only. Values may differ from current data. Always contact Mammoet for current project calculations.



Dimensions are in meters.
The content in this document is mentioned for reference use only. Values may differ from current data. Always contact Mammoet for current project calculations.

Guyed main boom with luffing jib

- Outrigger base: 13x13 m
- Ballast: 202 - 82 t
- Boom angle: 83°, 75°, 67°

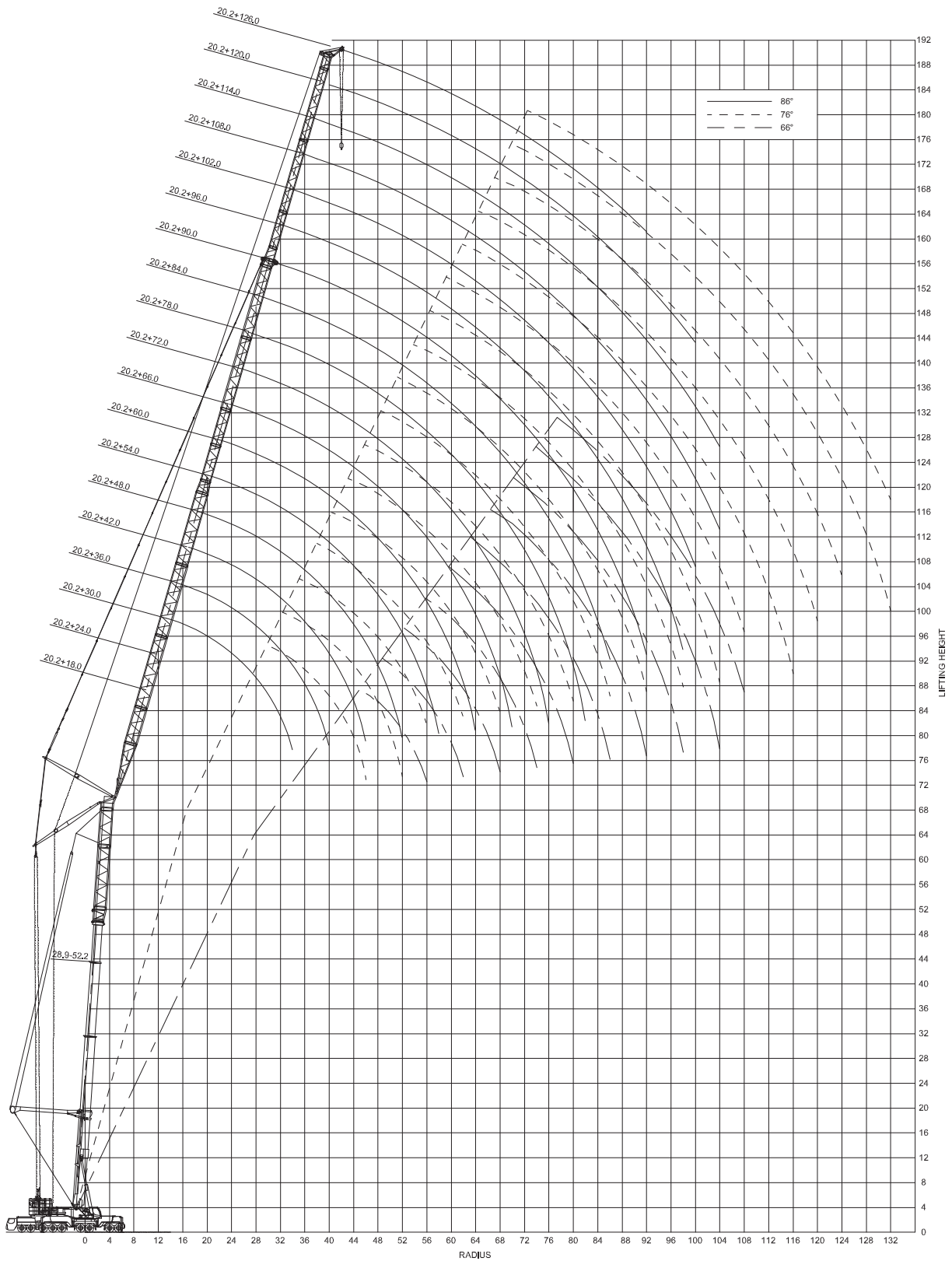
Boom length (m)	Jib length (m)	Radius (m)																																													
		18	20	22	24	26	28	30	34	38	42	46	50	54	58	62	66	70	74	78	82	86	90	94	98	102	106	110	114	118	122																
28.9	48	101	98	95	92	90	87	85	79	72	65	60																																			
	54		83	83	82	79	77	76	73	70	69	65	59	54																																	
	60			70	70	70	69	68	66	63	61	59	58	57	53	49																															
	66				58	58	58	57	56	55	53	51	50	49	48	47	44	40																													
	72					48	49	48	48	46	45	43	42	41	39	39	38	37	37																												
	78						40	40	40	40	38	37	36	35	34	33	32	32	31	31	30																										
	84							33	33	33	33	32	31	30	29	28	27	26	25	25	24	24	24																								
	90								28	28	27	27	26	25	24	24	23	22	21	20	20	19	19	19	19																						
	96									22	22	22	21	20	19	19	18	17	17	16	16	15	15	15	14	14																					
	102										18	18	18	17	16	16	15	15	14	13	13	12	12	12	11	11																					
	108											15	15	15	15	14	13	13	12	12	11	11	10	10	10	10	9																				
	114												12	12	12	12	12	11	11	10	10	9	9	9	8	8	8	8	8	7	7																
120													10	10	10	10	10	9	9	9	8	8	8	8	7	7	6	6	6	6	5	5	5	5	5	5	5	5	5								
126														8	8	8	8	8	7	7	7	7	6	6	6	6	5	5	5	5	4	4	4	4	4	4	4	4	4	4							
34.7	48	99	97	94	92	89	87	84	79	72	66	60	56																																		
	54		82	82	81	79	77	75	72	70	69	64	58	53																																	
	60			69	68	68	67	65	63	61	59	57	56	52	48																																
	66				56	57	57	57	56	54	52	51	50	49	47	46	44	40																													
	72					47	47	47	47	46	45	43	42	40	39	38	37	37	36																												
	78						39	39	39	38	37	36	35	34	33	32	31	31	31	27																											
	84							32	32	32	32	31	30	29	28	27	26	25	25	24	24	23																									
	90								26	26	26	26	26	25	24	23	23	22	21	20	20	19	19	18	18																						
	96									20	21	21	21	20	19	19	18	17	17	16	16	15	15	15	14	14																					
	102										17	17	17	17	17	16	16	15	14	14	13	13	12	12	12	11	11																				
	108											14	14	14	15	14	14	13	13	12	12	11	11	11	10	10	10	9	9																		
	114												11	12	12	12	11	11	11	10	10	9	9	9	8	8	8	8	8	7	7																
120													9	9	9	9	10	9	9	9	8	8	8	8	7	7	6	6	6	6	5	5	5	5	5	5	5	5	5	5	5	5	5				
126														7	7	7	7	7	7	7	6	6	6	6	6	5	5	5	5	4	4	4	4	4	4	4	4	4	4	4	4	3	3				
40.6	48		95	93	90	88	86	83	79	72	66	60	56																																		
	54			75	79	79	78	76	74	71	69	68	63	57	52																																
	60				60	66	66	65	64	62	60	58	56	55	51	47	39																														
	66					53	55	55	55	53	51	50	49	48	47	46	43	39																													
	72						42	43	45	45	45	44	43	41	40	39	38	37	36	34	29																										
	78							35	36	37	38	37	36	35	34	33	33	32	31	30	29	27																									
	84								28	29	30	31	30	29	28	27	26	26	25	24	24	23	23	20																							
	90									22	23	24	25	25	25	24	23	22	21	21	20	19	19	18	18	18																					
	96										18	19	20	20	19	18	18	17	16	16	15	15	15	14	14	14	12																				
	102											14	15	16	16	16	16	15	15	14	14	13	13	12	12	11	11	11																			
	108												11	12	13	13	13	13	13	12	12	11	11	11	10	10	10	9	9																		
	114													9	10	10	11	11	11	10	10	9	9	9	8	8	8	8	8	7	7	7															
120														7	7	8	8	8	8	8	9	9	8	8	8	7	7	7	6	6	6	6	5	5	5	5	5	5	5	5	5	5	5	5			
126															5	5	6	6	6	6	6	6	6	6	6	6	5	5	5	5	4	4	4	4	4	4	4	4	4	4	3	3	3	3			

t = metric tons.

The content in this document is mentioned for reference use only. Values may differ from current data. Always contact Mammoet for current project calculations.

Boom length (m)	Jib length (m)	Radius (m)																																																		
		18	20	22	24	26	28	30	34	38	42	46	50	54	58	62	66	70	74	78	82	86	90	94	98	102	106	110	114	118	122																					
46.4	48		92	91	89	87	85	83	79	73	67	61	56																																							
	54			78	77	76	75	73	70	68	67	62	56	48																																						
	60				64	64	64	63	61	59	57	54	50	45	38	28																																				
	66					52	53	53	52	50	49	48	46	43	39	35	29																																			
	72						40	42	44	44	43	42	41	40	38	36	34	31	27	20																																
	78							32	33	34	36	37	36	35	34	33	32	30	28	27	24	20																														
	84								26	27	28	29	30	29	28	27	26	25	24	23	22	21	19	14																												
	90									21	22	23	24	24	24	23	22	21	20	20	19	18	17	16	13																											
	96										16	17	18	19	19	18	18	17	16	16	15	15	14	13	13	12	8																									
	102											12	14	14	15	15	15	15	15	14	13	13	12	12	12	12	11	11	10																							
	108												9	10	11	12	12	13	13	12	12	12	11	11	10	10	10	9	9	8	7																					
	114													8	9	9	10	10	10	10	9	9	9	8	8	8	8	8	8	7	7	7	6																			
	120														6	6	7	7	8	8	8	8	8	8	8	7	7	6	6	6	5	5	5	5	4	4	4	4	4	4	3	3	4	4								
	126																																																			
52.2	48			88	87	85	83	81	78	73	67	62	56																																							
	54				74	74	73	72	69	67	65	61	55	50	46																																					
	60					58	60	62	61	60	58	56	55	53	50	46	42																																			
	66						45	48	50	51	51	50	48	47	46	45	45	42	38																																	
	72							36	39	40	43	42	41	40	39	38	37	36	36	35	32																															
	78								29	31	34	35	35	34	33	32	32	31	30	29	29	29																														
	84									22	23	25	27	28	28	27	27	26	25	24	24	23	23	22	22																											
	90										18	19	21	22	23	23	22	22	21	20	19	19	18	18	18	17																										
	96											14	15	16	17	18	18	17	17	16	16	15	15	14	14	14	14	14	14																							
	102												11	12	12	13	14	15	15	14	14	13	13	12	12	11	11	11	10																							
	108													8	9	10	10	11	11	12	12	12	11	11	11	10	10	10	9	9	9	9																				
	114														7	7	8	8	9	9	10	9	9	9	9	8	8	8	8	8	7	7	7	7																		
	120															5	5	6	6	7	7	7	7	7	7	7	7	6	6	6	5	5	5	5	4	4	4	4	4	4	4	3	3	3	3	2	2					
	126																																																			

t = metric tons.
The content in this document is mentioned for reference use only. Values may differ from current data. Always contact Mammoet for current project calculations.



Dimensions are in meters.
The content in this document is mentioned for reference use only. Values may differ from current data. Always contact Mammoet for current project calculations.

Guyed main boom with luffing jib

- Outrigger base: 13x13m
- Ballast: 202 - 162 t
- Boom angle: 86°, 76°, 66°

Boom length (m)	Jib length (m)	Radius (m)																											
		18	20	22	24	26	28	30	34	38	42	46	50	54	58	62	66	70	74	78	82	86	90	94	98	102	106		
28.9	48	97	97	96	93	90	87	85	79	72	65	60	55																
	54		82	81	81	80	78	76	72	70	68	64	58	52															
	60				66	66	66	65	63	61	59	57	55	52	48	44													
	66					56	56	55	54	52	51	49	48	47	45	42	38												
	72					46	46	46	45	44	43	42	40	39	38	37	35	32	28										
	78						38	38	38	38	37	36	35	34	33	32	30	28	26	24									
	84							31	31	31	31	30	29	28	27	26	26	25	24	23	22	19	17						
	90								25	26	26	25	25	24	23	22	21	21	20	19	18	17	15	14					
	96									20	21	20	20	19	18	18	17	17	16	16	15	14	13	11	10	8			
	102										16	16	17	17	16	16	15	15	14	13	13	12	11	10	9	8	7	6	
	108											14	14	14	14	14	13	13	12	12	11	10	9	9	8	7	6	5	4
	114												11	11	12	12	11	11	11	10	10	9	8	8	7	7	6	5	4
	120													9	9	9	9	8	8	8	7	7	6	6	5	5	4	4	3
126														7	7	7	7	6	6	6	6	5	5	4	4	4	3	3	
34.7	48		94	94	92	89	87	84	79	72	66	60	56																
	54			79	79	78	77	75	72	69	67	63	57	51															
	60					65	65	64	62	60	58	56	54	51	47	43													
	66						53	54	53	51	50	49	48	47	44	41	37												
	72							43	45	44	43	41	40	39	38	36	34	31	28										
	78								36	37	37	36	35	34	33	32	32	30	28	26	23								
	84									30	31	30	29	28	27	26	25	24	23	22	21	19	16						
	90									24	25	25	24	24	23	22	21	20	20	19	18	16	15	13					
	96										19	19	19	19	18	18	17	16	16	15	14	13	12	11	9	8			
	102											15	16	16	16	16	15	15	14	13	13	12	11	10	9	8	7	5	
	108												12	12	12	12	12	12	12	11	11	10	9	8	8	7	6	5	4
	114													10	10	10	10	10	10	9	9	8	8	7	6	6	5	4	3
	120														7	7	7	7	7	7	7	7	6	6	5	5	4	3	3
126															6	6	6	6	6	6	6	5	5	4	4	3	3	2	
40.6	48			91	90	88	86	83	79	73	67	61	55																
	54				77	76	75	74	71	68	66	61	56	49															
	60					61	61	61	61	59	57	55	54	51	46	39													
	66						49	51	50	49	48	47	46	43	39	35													
	72							40	44	43	42	41	39	38	37	35	32	29	26										
	78								30	34	35	35	35	34	33	32	30	29	26	24	22								
	84									26	28	28	28	28	27	26	25	24	23	21	20	18	15						
	90										20	21	22	24	23	22	22	21	20	19	18	17	15	14	12				
	96											16	17	18	18	18	17	17	16	15	14	14	12	11	10	8	7		
	102												12	13	14	14	15	14	14	13	12	11	10	9	8	7	6	4	
	108													9	10	11	11	12	12	11	11	10	9	8	7	6	5	4	
	114														8	8	9	9	10	10	9	9	8	8	7	6	5	4	3
	120															6	6	7	7	7	7	7	7	6	6	5	5	4	3
126																4	4	4	5	5	5	5	5	5	4	4	3	2	

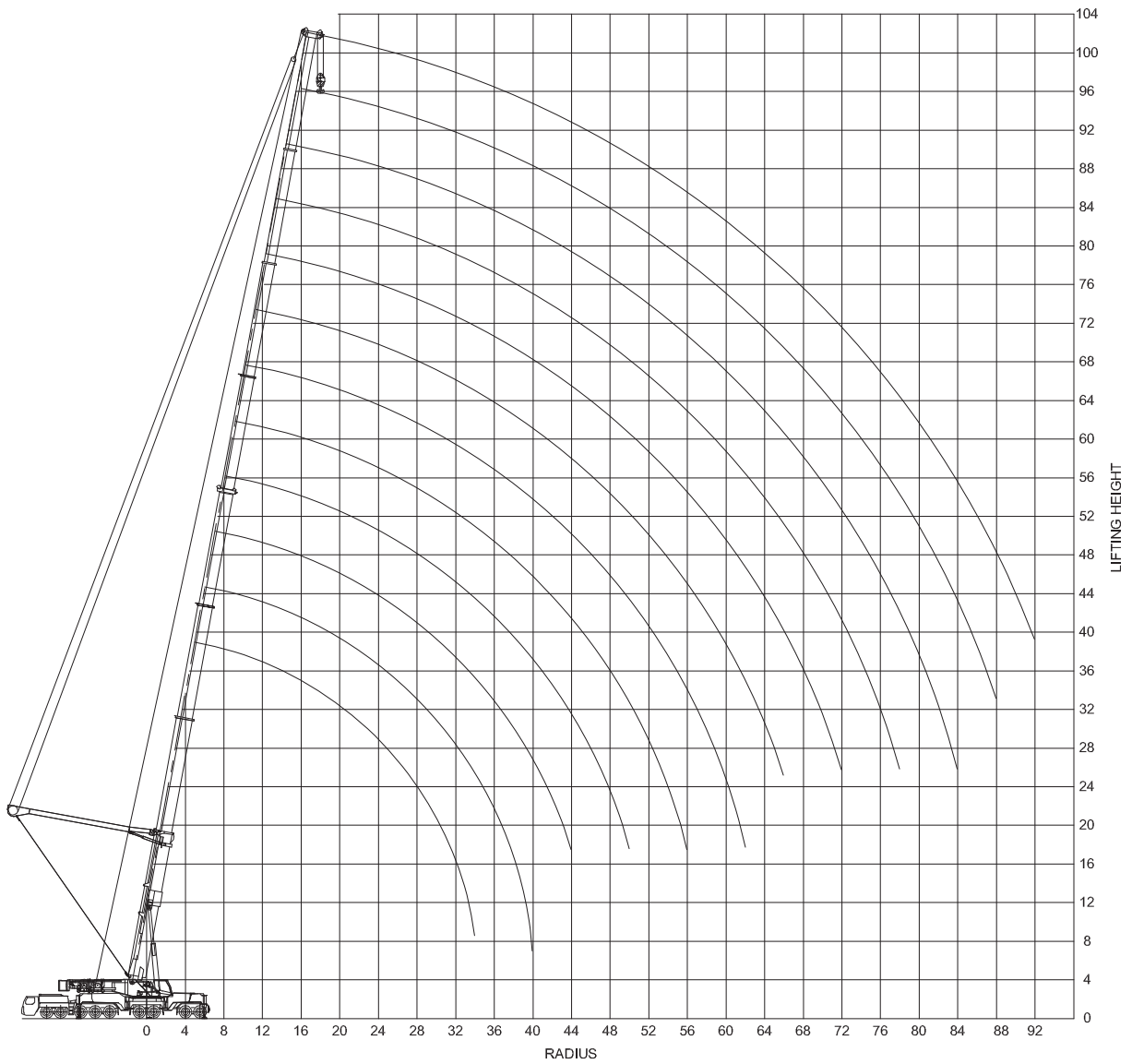
t = metric tons.

The content in this document is mentioned for reference use only. Values may differ from current data. Always contact Mammoet for current project calculations.

Boom length (m)	Jib length (m)	Radius (m)																											
		18	20	22	24	26	28	30	34	38	42	46	50	54	58	62	66	70	74	78	82	86	90	94	98	102	106		
46.4	48			88	87	85	84	82	76	71	66	58	48																
	54				73	73	72	70	66	63	60	55	47	38															
	60						60	59	58	56	54	52	50	45	38														
	66						47	47	47	47	47	47	46	44	41	37	33	25											
	72							38	41	42	41	40	39	38	36	34	31	28	25										
	78							28	32	34	35	34	33	32	31	29	28	25	23	21	18								
	84							21	23	26	27	28	27	26	25	24	23	22	21	19	17	15							
	90							15	17	19	21	22	22	22	21	20	19	18	17	16	14	13	11						
	96									13	15	16	17	17	17	17	16	15	14	13	12	10	9	8	6				
	102										10	11	12	13	14	14	14	13	12	12	11	10	9	8	6	5			
	108										8	8	9	10	11	11	11	11	10	10	9	8	7	6	5	5	3		
	114										6	7	8	8	8	9	9	9	8	8	7	7	6	5	4	4	3		
120										4	5	5	6	6	6	6	6	6	6	5	5	4	4	3	2				
126										2	2	3	3	4	4	4	4	4	4	4	3	3	2						
52.2	48			83	82	79	77	71	67	62	54	48																	
	54				70	69	66	62	58	55	50	44	37																
	60				53	56	58	56	53	51	48	46	40	34															
	66				42	45	49	49	47	46	44	42	40	36	30	25													
	72					31	36	39	40	39	38	37	35	33	30	27	24												
	78					24	28	31	33	33	32	32	30	28	26	24	22	19	16										
	84					17	20	23	25	27	26	26	25	24	22	21	19	17	15	13									
	90					12	14	17	19	21	21	21	21	20	19	18	16	15	14	12	10	8							
	96							11	13	15	16	17	17	16	15	14	13	12	11	9	8	7	5						
	102								8	9	11	12	13	13	13	12	12	11	10	9	8	7	6	4					
	108								5	6	8	9	10	10	10	10	9	9	8	7	6	6	5	4					
	114									3	4	6	7	8	8	8	8	8	7	7	6	5	4	4	3				
120											3	4	5	6	6	5	5	5	4	4	3	2							

t = metric tons.

The content in this document is mentioned for reference use only. Values may differ from current data. Always contact Mammoet for current project calculations.



Dimensions are in meters.
The content in this document is mentioned for reference use only. Values may differ from current data. Always contact Mammoet for current project calculations.

Main boom

- Outrigger base: 13×13 m
- Ballast: 202 - 0 t

Boom length (m)	Radius (m)																													
	3	4	5	6	7	8	9	10	11	12	14	16	18	22	26	30	34	38	42	46	50	54	58	62	66	70	74			
18.3	213	213	213	213	213	213	213	213	213	213	205	168																		
24.1	213	213	213	213	213	213	213	213	213	213	205	181	160	104																
29.9	213	213	213	213	213	213	213	196	182	167	144	129	114	94	79															
35.8		213	213	213	213	213	213	213	212	211	182	161	142	114	95	78	42													
41.6		213	213	213	213	198	186	173	163	152	135	118	107	87	72	62	53	47												
47.5			213	213	207	194	183	173	164	155	139	127	114	96	81	69	61	53	47											
53.3				145	136	128	121	115	110	105	95	87	81	69	59	52	46	41	37	33	30									
59.1				136	130	123	118	112	108	103	95	88	82	71	63	55	50	45	41	37	34	31								
65					100	95	90	86	82	77	71	64	58	50	42	36	31	27	23	20	17	15	13							
70.8						76	72	69	66	63	58	54	50	43	37	32	27	23	20	17	14	12	10	9	7					
76.7							59	57	55	52	49	45	42	36	31	27	23	20	17	15	12	10	8	7	5	4				
82.5									47	46	44	41	38	36	31	27	23	20	17	15	13	11	9	8	6	5	3	2		
88.3											37	35	33	30	27	23	20	18	15	13	11	10	8	7	5	4	3	1		
94.2												28	27	25	24	22	20	18	17	15	13	12	11	10	9	8	7	5	4	
100													25	24	23	22	20	19	17	15	13	11	10	9	7	6	5	4	3	2

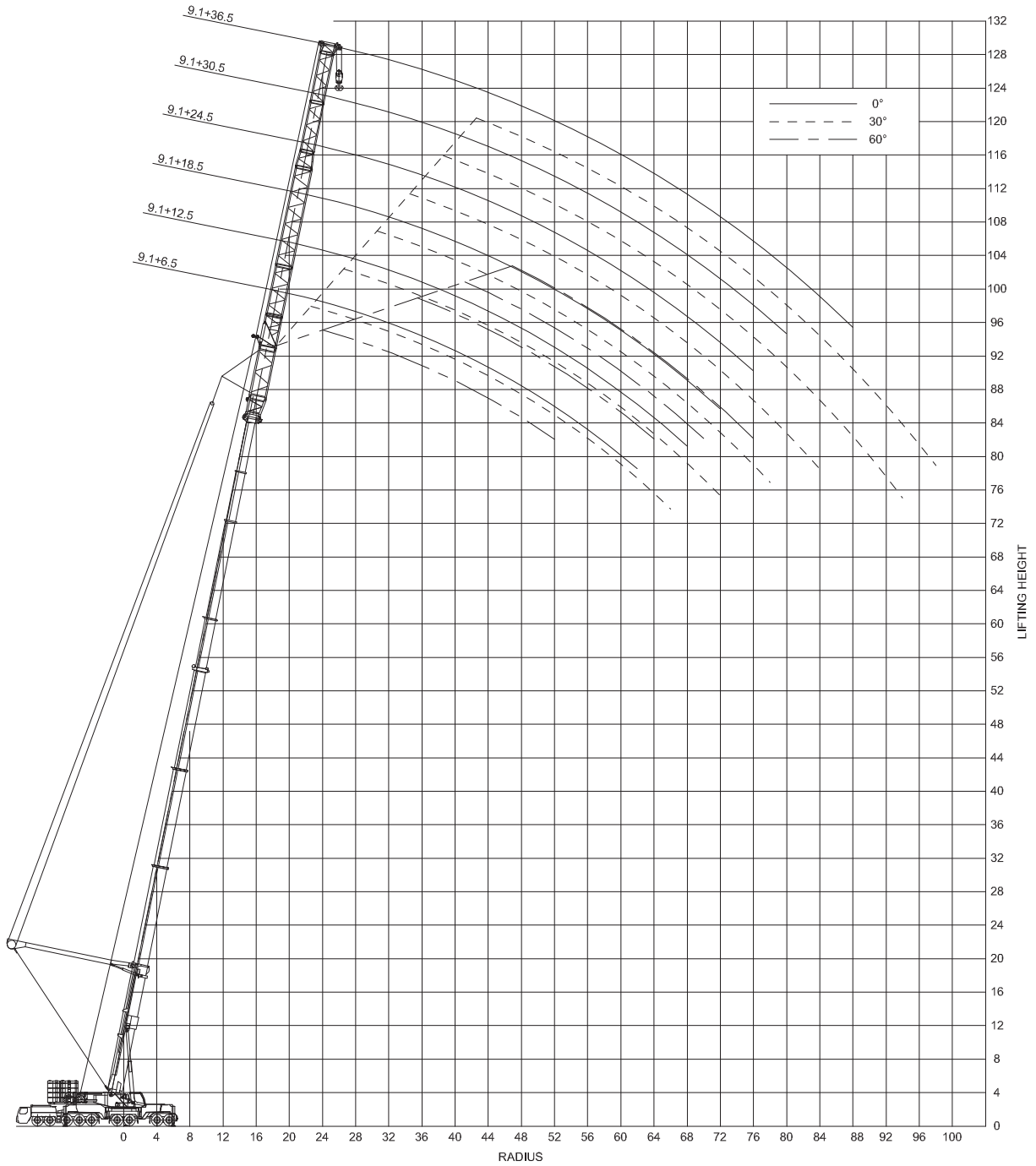
Guyed main boom

- Outrigger base: 13×13 m
- Ballast: 202 - 0 t

Boom length (m)	Ballast (t)	Radius (m)																																			
		3.5	4	5	6	7	8	9	10	11	12	14	16	18	20	22	26	30	34	38	42	46	50	54	58	62	66	74	82	90							
35.8	0	213	213	213	213	213	213	213	213	177	152	127	96	75	59	47	37	22	11																		
	102	213	213	213	213	213	213	213	213	213	213	186	158	136	118	99	73	55	35																		
	202	213	213	213	213	213	213	213	213	213	213	209	186	166	148	131	105	86	45																		
41.6	0			213	213	213	213	205	171	149	126	97	77	62	50	41	27	17	9																		
	102			213	213	213	213	213	213	209	204	186	161	140	123	104	77	60	47	37																	
	202				213	213	213	213	213	209	204	196	188	169	151	135	109	90	76	58																	
47.5	0				213	213	213	213	192	162	142	122	95	76	62	51	42	29	19	12	6																
	102				213	213	213	213	211	206	201	196	181	158	139	124	106	80	62	49	40	32															
	202					213	213	213	211	206	201	196	187	179	170	152	137	111	92	78	66	57															
53.3	0					213	213	209	180	153	135	116	91	73	60	50	41	28	19	12	7																
	102						213	213	209	203	197	192	187	175	153	135	121	106	80	63	50	41	33	27													
	202							213	213	209	203	197	192	187	178	170	162	149	134	111	93	78	67	58	50	35											
59.1	0							212	206	200	168	144	127	110	87	71	58	49	40	28	19	13	7														
	102								212	206	200	194	189	184	179	169	148	131	118	103	81	63	51	41	34	28	23	18									
	202										213	208	202	197	192	182	173	156	140	126	104	88	74	63	54	47	40	32									
65	0								192	181	153	132	117	101	80	64	52	43	35	23	15	9															
	102									192	189	185	179	173	167	157	140	125	110	96	75	60	49	39	32	25	20	16	12								
	202											201	196	191	186	177	167	149	133	120	99	83	71	61	52	45	38	32	27								
70.8	0										141	122	108	94	74	60	49	39	32	21	13	6															
	102											178	173	168	146	128	112	97	84	64	50	39	31	23	18	12	8	5									
	202												178	175	171	161	149	137	124	114	94	79	67	57	49	42	36	30	24	20	13						
76.7	0											115	103	91	74	61	51	42	35	24	16	10	5														
	102												147	139	123	106	92	80	62	49	39	30	23	18	13	9	5										
	202													147	139	131	124	117	110	92	77	66	56	48	42	36	30	25	20	17							
82.5	0														83	68	56	48	40	33	23	15	9	3													
	102															119	113	102	88	77	60	48	38	30	24	18	14	10	6	3							
	202																119	113	107	101	96	86	76	65	56	48	42	36	31	26	22	18	11				
88.3	0																60	50	42	35	28	18	11	4													
	102																	95	93	89	85	75	59	47	38	31	24	19	15	11	8	5					
	202																		95	93	89	85	81	73	67	61	56	48	42	37	32	28	23	19	13	7	
94.2	0																	47	39	33	27	18	11	5													
	102																		74	71	68	66	60	49	40	33	27	22	18	14	11	8	6				
	202																			74	71	68	66	61	56	52	49	46	43	39	34	30	26	22	16	11	
100	0																		35	29	24	16	9														
	102																			62	60	57	54	46	38	31	25	21	17	13	10	7	5				
	202																				62	60	57	54	50	47	44	41	39	36	32	26	21	17	13	9	5

t = metric tons.

The content in this document is mentioned for reference use only. Values may differ from current data. Always contact Mammoet for current project calculations.



Dimensions are in meters.
The content in this document is mentioned for reference use only. Values may differ from current data. Always contact Mammoet for current project calculations.

Guyed main boom with fixed jib

- Outrigger base: 13×13 m
- Ballast: 202 - 61 t

Boom length (m)	Jib length (m)	Jib offset (°)	Radius (m)																																			
			9	10	11	12	14	16	18	20	22	24	26	28	30	32	34	36	38	40	42	44	46	48	50	54	58	62	66	70	74	78	82	86				
47.5	6.5	0	123	119	116	112	105	99	93	88	84	81	77	73	70	67	65	62	58	54	50	46	43	40	37	32	27	22	17									
		30				87	83	80	76	73	70	68	65	63	61	58	56	55	53	51	50	48	44	41	38	33	28											
	12.5	0		93	90	87	82	77	73	69	65	62	60	57	54	52	50	48	46	44	43	42	40	39	37	32	28	24	20	16	9							
		30							49	48	46	45	44	43	42	41	40	39	38	37	37	36	35	35	34	33	32	30	25	21								
	18.5	0				70	66	62	59	56	53	50	48	46	44	42	40	39	37	36	35	33	32	31	30	28	26	24	21	17	14	10						
		30											41	40	38	37	36	35	34	33	31	31	29	29	28	27	26	24	23	22	22	19						
53.3	6.5	0		116	113	109	103	98	93	88	84	81	78	74	71	68	64	59	55	51	47	44	40	37	35	30	25	21	17	13								
		30																																				
	12.5	0					84	80	75	72	68	65	62	59	57	55	53	50	49	47	45	44	42	40	37	35	30	26	22	18	15	12	7					
		30										47	46	45	44	43	42	41	40	39	38	37	36	36	35	35	34	32	28	24	20	16						
	18.5	0						64	61	58	55	52	50	48	46	44	43	41	39	38	37	35	34	33	32	31	29	26	22	19	15	12	10	7				
		30												38	38	36	35	34	33	32	32	31	30	29	28	27	26	25	24	23	21	18	14	11				
59.1	6.5	0				108	102	97	93	89	85	82	78	76	72	66	60	56	51	48	44	40	37	35	32	27	23	18	15	11	8							
		30																																				
	12.5	0						79	76	72	69	66	63	60	58	56	54	52	50	48	47	44	40	37	35	32	27	23	19	16	12	9	7	4				
		30																																				
	18.5	0																																				
		30																																				
65	6.5	0					102	97	93	89	86	83	79	73	67	62	57	52	48	44	41	37	34	32	29	24	20	16	12	9	6	3						
		30																																				
	12.5	0																																				
		30																																				
	18.5	0																																				
		30																																				
70.8	6.5	0						101	96	90	86	81	77	73	68	63	58	54	49	45	42	37	33	28	23	18	12	6										
		30																																				
	12.5	0																																				
		30																																				
	18.5	0																																				
		30																																				
76.7	6.5	0																																				
		30																																				
	12.5	0																																				
		30																																				
	18.5	0																																				
		30																																				
82.5	6.5	0																																				
		30																																				
	12.5	0																																				
		30																																				
	18.5	0																																				
		30																																				
88.3	6.5	0																																				
		30																																				
	12.5	0																																				
		30																																				
	18.5	0																																				
		30																																				

t = metric tons.

The content in this document is mentioned for reference use only. Values may differ from current data. Always contact Mammoet for current project calculations.