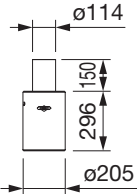
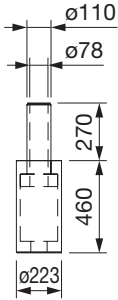
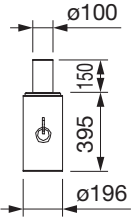
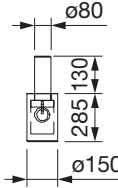
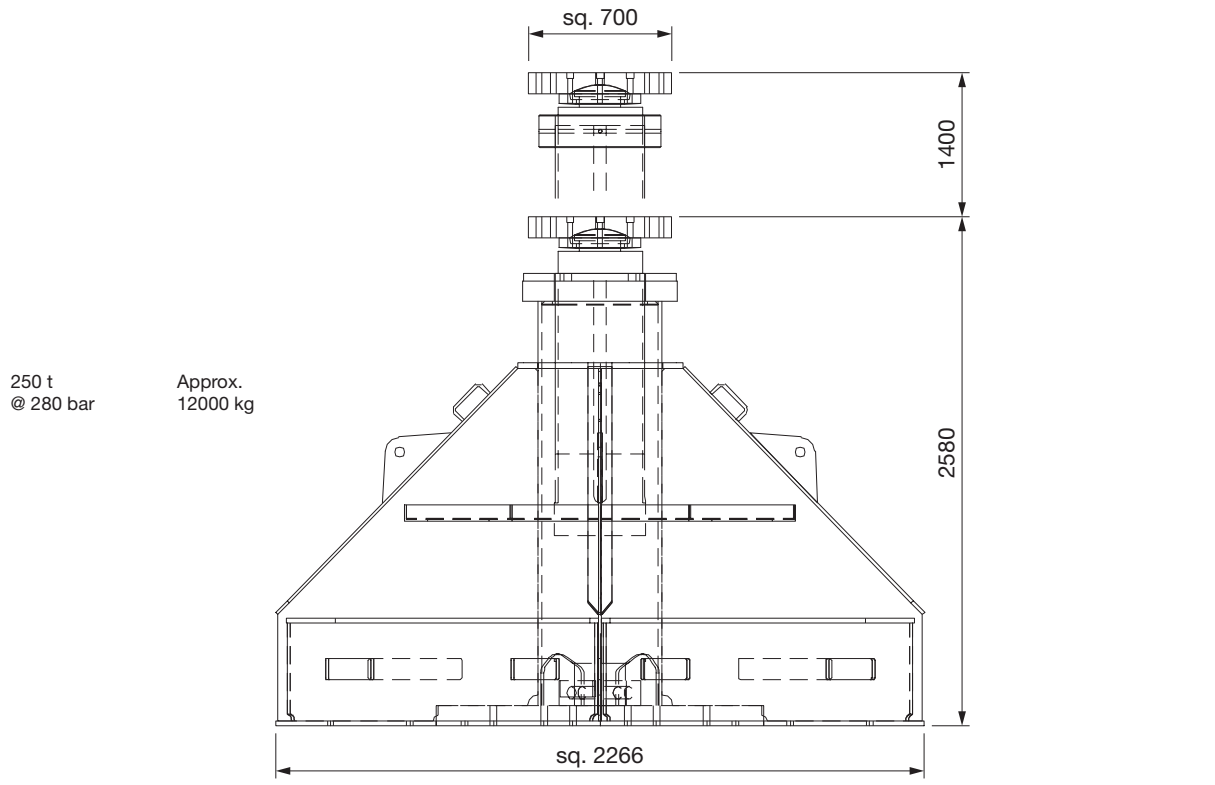


Dimensions are in millimeters, t = metric tons.
The content in this document is mentioned for reference use only. Values may differ from current data. Always contact Mammoet for current project calculations.

Capacity/pressure	Weight	Dimensions	Capacity/pressure	Weight	Dimensions
80 t @ 400 bar	65 kg	 <p> $\phi 114$ $\phi 205$ 150 296 </p>	50 t @ 320 bar	100 kg	 <p> $\phi 110$ $\phi 78$ 270 460 $\phi 223$ </p>
60 t @ 400 bar	80 kg	 <p> $\phi 100$ $\phi 196$ 150 395 </p>	45 t @ 420 bar	32 kg	 <p> $\phi 80$ $\phi 150$ 130 285 </p>



Dimensions are in millimeters, t = metric tons.
 The content in this document is mentioned for reference use only. Values may differ from current data. Always contact Mammoet for current project calculations.