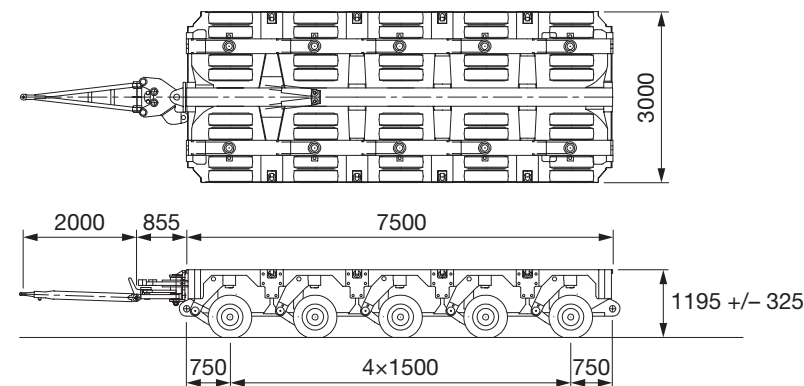
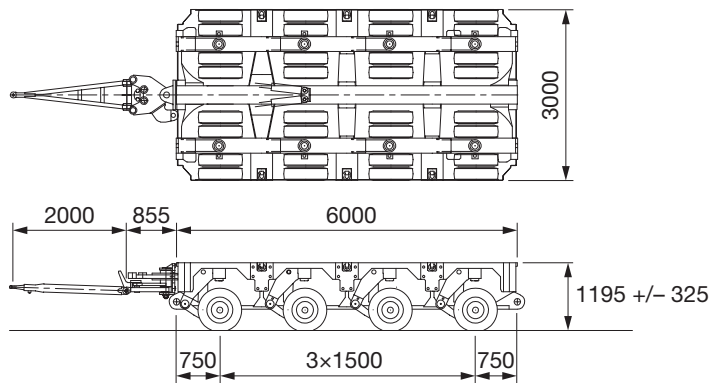
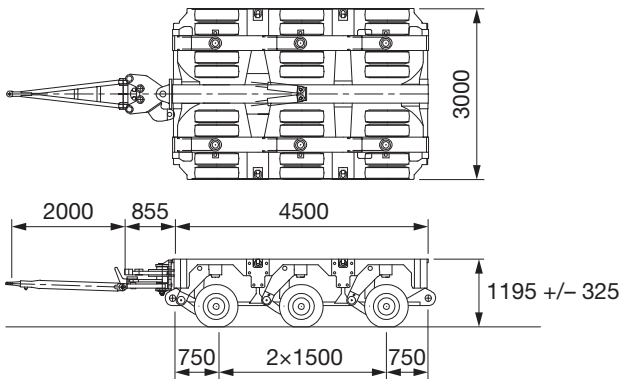
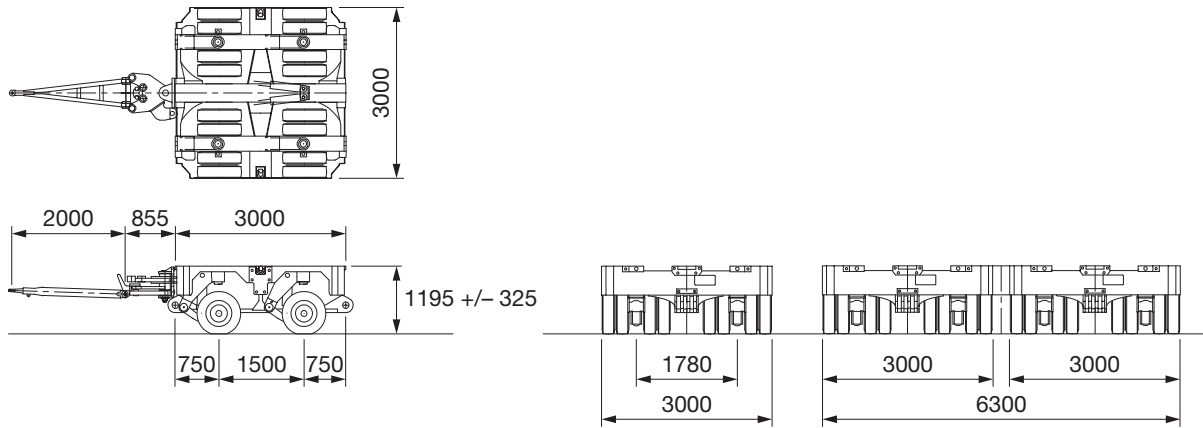


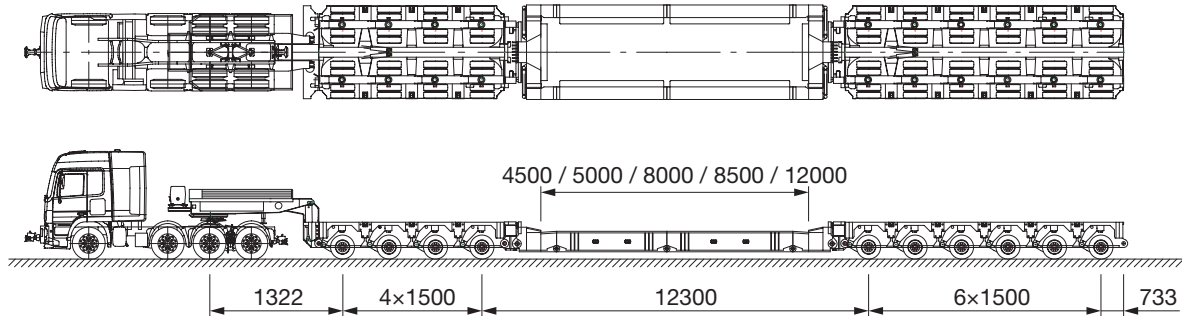
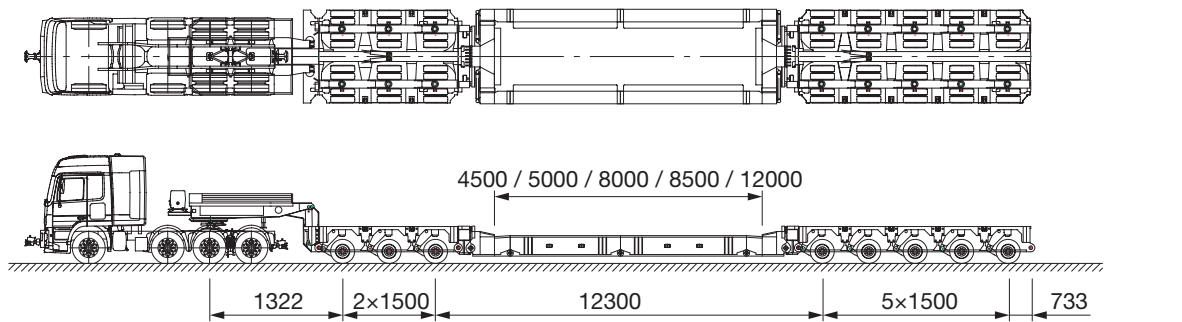
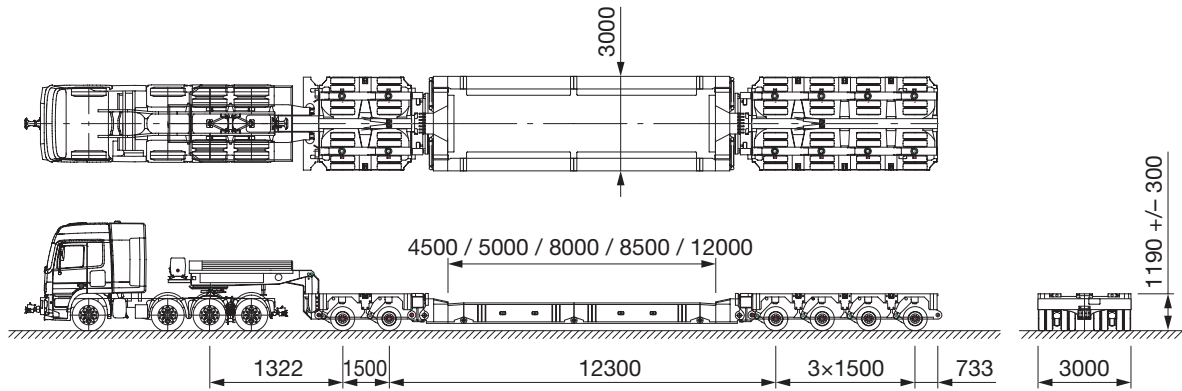
This data sheet shows only a small part of the Scheuerle InterCombi trailer components. Speak to Mammoet for other components (for example narrow beds, extendable beds, vessel bridges), combinations and capacities.


**SPECIFICATIONS**

	Weight (t)	Maximum axle load (t)
2 lines	7.2	36
3 lines	10.2	36
4 lines	13.3	36
5 lines	16.6	36

Dimensions are in millimeters.

The content in this document is mentioned for reference use only. Values may differ from current data. Always contact Mammoet for current project calculations.



Dimensions are in millimeters.  
The content in this document is mentioned for reference use only. Values may differ from current data. Always contact Mammoet for current project calculations.